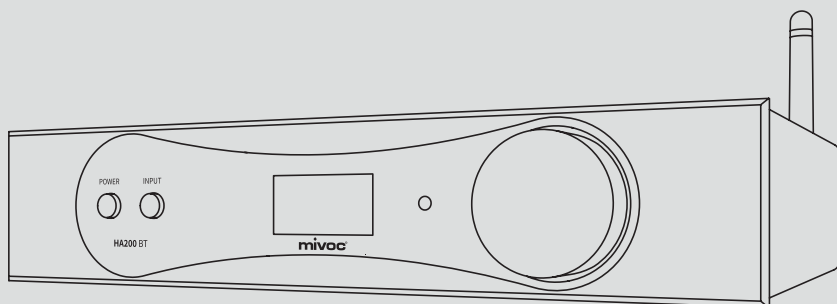


# HA200BT

HIFI STEREO AMPLIFIER



## OPERATING MANUAL

DE

EN

ES

FR

IT

中文



## SOUND – EXPERIENCE – DELIGHT

**When you don't just hear a favourite song or film, but actually feel it, it's a very special experience. It can cast a spell over you – it surrounds you and draws you fully into the moment. – You feel all the energy it contains – and then... you find yourself just feeling happy.**

# BOOM!

## WHEN SOUND BECOMES AN EXPERIENCE

Mivoc lets us bring our passion for good sound to life within our own four walls. The know-how gained from decades of experience and our expertise in developing professional loudspeaker systems come together here to create 100% listening pleasure, which we want to share with you.

We are delighted that you share our love of sound and have chosen this mivoc product. To maximise your enjoyment of your mivoc product, we have summarised everything you need to know in these operating instructions. We wish you lots of fun and many hours of immersive listening.

If you have any questions or would like to find out about other mivoc products, visit the mivoc website at **[www.mivoc.com](http://www.mivoc.com)**. You can also reach us at **[info@mivoc.com](mailto:info@mivoc.com)**.

© mivoc\* 2024. All rights reserved.

The contents of this document may be modified without prior notice to improve reliability, function, design or for other reasons.

DE

EN

ES

FR

IT

中文

# CONTENTS

|                                     |           |
|-------------------------------------|-----------|
| <b>NOTES AND INFORMATION</b>        | <b>5</b>  |
| Utilisation                         | 5         |
| Graphical symbols                   | 5         |
| Safety instructions                 | 7         |
| <b>PACKAGE CONTENTS</b>             | <b>12</b> |
| Checking the packaging              | 12        |
| Unpacking and checking the contents | 12        |
| <b>MIVOC HA200 BT</b>               | <b>13</b> |
| Components                          | 13        |
| Inputs and outputs                  | 14        |
| Elements of the front               | 15        |
| Elements of the remote control      | 16        |
| Presets                             | 17        |
| Display                             | 18        |
| Power supply                        | 20        |
| <b>MIVOC HA200 BT INSTALLATION</b>  | <b>21</b> |
| Bluetooth® antenna                  | 21        |
| Connecting to the mains supply      | 22        |
| Preparing the speaker cables        | 23        |
| Connecting the loudspeakers         | 24        |
| Connecting the subwoofer            | 25        |
| Connecting a turntable              | 26        |
| Connecting audio sources            | 27        |
| Replacing the fuse                  | 28        |
| Setting up                          | 29        |
| <b>TECHNICAL DATA</b>               | <b>30</b> |
| Specifications                      | 30        |
| Dimensions                          | 31        |
| <b>MANUFACTURER INFORMATION</b>     | <b>32</b> |

# NOTES AND INFORMATION

## UTILISATION

This product is a hi-fi stereo amplifier intended for use in dry indoor areas in private homes. The amplifier is designed for operation on a mains electricity supply of 100-240 V~ / 50-60 Hz. There are various analogue and digital inputs for connecting source signals. This mivoc amplifier is also equipped with a Bluetooth® receiver for a wireless signal connection. Incoming audio signals are processed and amplified and output to the loudspeaker connections. You can connect compatible hi-fi speakers to the speaker connections and finally listen to the audio signals from the selected source. How loud the playback is depends on the volume setting on the amplifier. You can also connect a subwoofer with an integrated amplifier to the output provided for this purpose. This gives you a stereo system that can reproduce the entire audible sound spectrum. To ensure optimum and safe operation, only use your mivoc amplifier as described in these instructions. Use for purposes other than those intended or other than those described in these instructions may result in personal injury or damage to property.

## GRAPHICAL SYMBOLS

Graphical symbols can be found on the product. These symbols form handling instructions that must be observed and conformity with relevant directives.



The CE mark indicates conformity with the applicable EU directives for safety, health and environmental protection.



Symbol indicating compliance with Directive 2002/96/EC and Directive 2003/108/EC of the European Parliament on waste electrical and electronic equipment (WEEE).



This symbol indicates important operating and maintenance instructions that you must observe.



This symbol indicates that the product requires an electrical power supply and contains active electronic components. You must observe and follow the instructions for handling this electrical appliance.

DE

EN

ES

FR

IT

中文



The UKCA mark indicates conformity with the relevant guidelines for safety, health and environmental protection in Great Britain.



The SGS mark confirms conformity with the relevant US and Canadian standards to fulfil the highest safety and quality requirements.



The FCC mark indicates compliance with Part 15 of the applicable Federal Communications Commission guidelines.

Operation of this device is subject to the following two conditions: (1) This device must not cause harmful interference, and (2) this device must tolerate any interference received, including interference that may cause undesired operation.

**CAN ICES-3 (B)/NMB-3 (B)**  
**FCC ID: 2AVLY-HA200BT**  
**IC: 25810-HA200BT**

You will encounter a number of graphic symbols in these instructions. These symbols indicate important information and helpful hints.



This symbol indicates important operating and maintenance instructions that you must observe.



This symbol indicates that there are important operating and safety instructions that you must observe and follow to minimise the risk of personal injury and damage to property.



This symbol indicates that the relevant text passage contains worthwhile and helpful information about the product.



This symbol gives you practical tips and ideas for handling the product correctly.

# SAFETY INSTRUCTIONS

Be sure to observe the following safety instructions. This way you can use your product safely and enjoy listening to music for a long time.

1. Read these operating instructions carefully and keep them in a safe place so that you can refer to them again if necessary.

---

2. **Some mivoc products have small removable parts. Ensure that children do not come near to mivoc products unsupervised. Small parts pose a risk of swallowing and can cause injury or suffocation.**

---

3. **Do not allow children to play with the product or its packaging. There is a risk of injury and suffocation.**

---

4. Use only accessories recommended by mivoc.

---

5. Ensure that the unit is wired and set up correctly as described in these instructions.

---

6. This mivoc product contains electronic components that generate electromagnetic fields (EM radiation). Electromagnetic radiation can have a detrimental effect on other devices and medical implants (e.g. pacemakers). Check with your doctor in advance if you have medical implants.

---

7. **Prolonged listening to loud audio can lead to hearing damage and mental impairment. Please also be considerate of other household members, neighbours and pets.**

---

8. Do not touch the technical components or any parts inside your mivoc product (connection contacts, ventilation openings etc.). Doing so could damage parts, and you could also injure yourself.

---

9. Please switch off your mivoc product (if possible) and other connected devices (players, etc.) and disconnect them from the power supply before undertaking any wiring to the unit. This reduces the risk of electric shock or other damage or injury.

---

10. Place this product only on a firm surface and make sure that it cannot fall.

---

11. Do not allow loudspeaker or other power and signal cables to form tripping hazards.

---

DE

EN

ES

FR

IT

中文

- 
12. Make sure that your mivoc product is positioned at least 50 cm away from heat sources (radiators, amplifiers, fireplace, candles, etc.). Insufficient distance from heat sources can cause malfunctions, damage or fire.
- 
13. Ensure that your mivoc product is not exposed to direct sunlight. Direct sunlight can result in high heat absorption. This can lead to malfunctions, damage or fire.
- 
14. Ensure that your mivoc product is adequately ventilated during operation and keep it at least 2 cm away from other objects.
- 
15. Do not cover the product with blankets, curtains, magazines or other objects.
- 
16. Do not place any containers holding liquids on or near your mivoc product.
- 
17. Check your mivoc product regularly for external damage and for correct wiring.
- 
18. Do not use cleaning agents to clean the unit. A duster or a slightly damp cloth is sufficient. Ensure that no liquid gets into your mivoc product or comes into contact with the connections. Switch off your mivoc product (where possible) and other connected devices (players, etc.) and unplug them from the power supply before you start cleaning.
- 
19. Do not remove any housing components from your product. There are no parts inside that you can service yourself.
- 
20. For your own safety and that of third parties, do not modify your mivoc product either in part or as a whole (by adding, modifying or removing components, etc.).
- 
21. **Always observe the safety and operating instructions for the other devices that you connect to your mivoc product.**
- 

When the product has reached the end of its useful life, please take it to the collection point specified by the local authorities for disposal and recycling. By so doing, you help to conserve natural resources, protect human and animal health and preserve our environment.





Check that the signal reproduction is free of distortion or interference in all situations. There should be no unwanted distortions, unusual noises or unwanted sound colouration. Ensure that there is no smell of burning and that no smoke is produced. Do not use your mivoc device under such conditions, as doing so could result in damage (risk of injury, damage to health, fire, damage to the speakers or connected devices etc.). In such cases, contact your mivoc dealer or mivoc support immediately.



High sound volumes or sudden loud sounds can cause hearing damage and other health impairments. Each time before you use the unit, first set the volume back to minimum, from where you can then set it to your preferred listening level.

DE

EN

ES

FR

IT

中文



**IMPROPER USE CAN CAUSE ELECTRIC SHOCK, FIRE HAZARD AND OTHER HEALTH RISKS.** Follow the basic precautions listed here to minimise or avoid the risk of serious injury or even death from electric shock, short circuits, damage, fire or other hazards. These precautionary measures include the following points.

1. Only connect your mivoc product to an approved power outlet (100 V~ - 230 V~ / 50-60 Hz).
2. Make sure that the power cable is not crushed or damaged in any other way.
3. Ensure that the socket and the power cable connection to your product are undamaged.
4. Never touch the mains plug or the power connection of your mivoc product with wet or damp hands.
5. Never leave children near the product unattended. Children are unable to assess the dangers of using electrical appliances.
6. Do not bypass any protective device for preventing personal injury or property damage by electricity.
7. Note the total possible load on your mains socket (power supply).
8. Observe the operating instructions for accessories and power supply (e.g. multiple socket strips, peripheral devices, etc.).
9. Disconnect the product from the power supply during thunderstorms or if it will not be used for an extended period.
10. Do not use your product unsupervised.
11. Leave all maintenance work and repairs to qualified service personnel. (e.g. if the mains plug is damaged, liquid has been spilt or objects have fallen into the appliance or if the appliance has been exposed to rain or moisture, does not operate normally or has been damaged by a fall).



ONLY USE THE PRODUCT AFTER YOU HAVE THOROUGHLY FAMILIARISED YOURSELF WITH THE DANGERS POSED BY ELECTRICALLY POWERED DEVICES.



ONLY USE THE PRODUCT IN ITS UNDAMAGED AND ORIGINAL CONDITION.



OBSERVE LOCAL, STATUTORY AND OFFICIAL REGULATIONS AND RULES REGARDING THE USE OF ELECTRICALLY POWERED DEVICES.



FOLLOW ALL INSTRUCTIONS AND DIRECTIONS IN THESE OPERATING INSTRUCTIONS. IF YOU HAVE ANY QUESTIONS OR QUERIES, PLEASE CONTACT YOUR MIVOC DEALER OR MIVOC SUPPORT.

DE

EN

ES

FR

IT

中文

# PACKAGE CONTENTS

Your mivoc product is supplied with the following items:

- 1 mivoc product
- 1 Power cable
- 1 Bluetooth® antenna
- 1 Remote control incl. batteries (LR03 AAA, 1.5V, alkaline)
- 1 important information
- 1 QC PASS card
- 1 warranty card

## CHECKING THE PACKAGING

Please check the condition of the packaging of your product before you unpack it. If the packaging has been damaged during transport, remove the product from the packaging (as described below) and check it for visible damage before using it. Notify the delivery company immediately and contact your mivoc dealer or mivoc support for help and assistance. Document any damage carefully. Keep the shipping carton as evidence in the event of a complaint, which only you can make.

We generally recommend that you keep all packaging material and contents in case you need to transport the unit again in future.

## UNPACKING AND CHECKING THE CONTENTS

Carefully open the packaging. Take care not to damage the contents with pointed or sharp objects (scissors, knives) that you use to open the packaging. Remove the padding and protective material on top and lift the product out of the packaging. Do not exert any pressure on the external technical components (e.g. connection terminals etc.). Check the contents of the packaging for completeness and damage. If you notice any damage, contact your mivoc dealer or mivoc support immediately before using the product and clarify the next steps.



Open the packaging on the floor or on a table. This way you can prevent your mivoc product from falling when you lift it out.



Allow your mivoc product to come to room temperature after unpacking (or if it has recently been in transit) before switching it on. You can go ahead and set up and connect the product according to the instructions, but wait a little longer before you enjoy the sound of your new system for the first time.

# MIVOC HA200 BT

The mivoc HA200 BT is a stereo hi-fi amplifier with multiple analogue and digital signal inputs, two speaker outputs for connecting your hi-fi stereo speakers and a direct subwoofer output to which you can connect for example the mivoc hYPE 10. The HA200 BT amplifier is equipped with various preset settings and a tone control for adjusting the sound. The amplifier can be conveniently controlled using the remote control provided. You can also operate it directly using the controls fitted on the unit. The mivoc HA200 BT can be integrated into an existing hi-fi system quickly and easily thanks to the wide range of connections and setting options.

## HA200 BT COMPONENTS

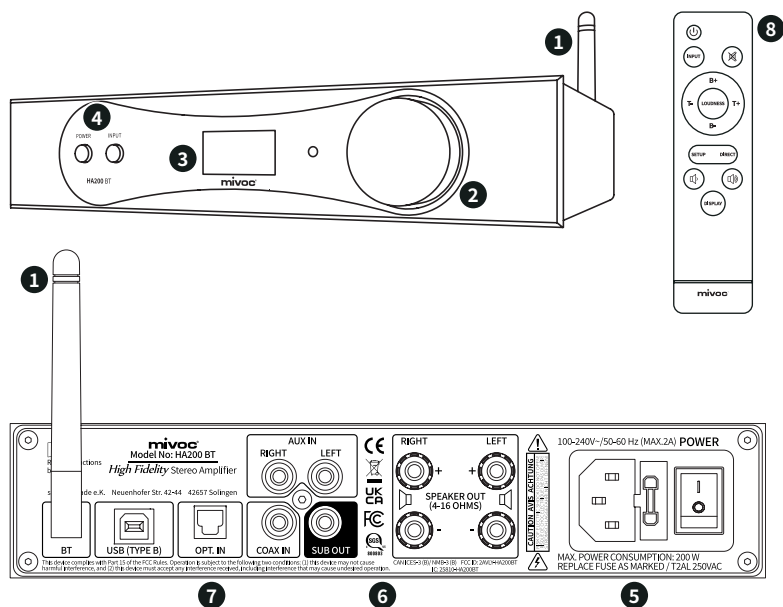


Figure 1. HA200 BT – front and rear view and remote control.

- |   |   |
|---|---|
| <p><b>1</b> Bluetooth® antenna</p> <p><b>2</b> Volume control, mute button</p> <p><b>3</b> Display screen</p> <p><b>4</b> Standby button (power), input selector button</p> | <p><b>5</b> Power input, fuse, on/off switch</p> <p><b>6</b> Speaker outputs, subwoofer output</p> <p><b>7</b> Analogue and digital inputs</p> <p><b>8</b> Remote control unit with system controls</p> |
|---|---|

DE

EN

ES

FR

IT

中文

# HA200 BT INPUTS AND OUTPUTS

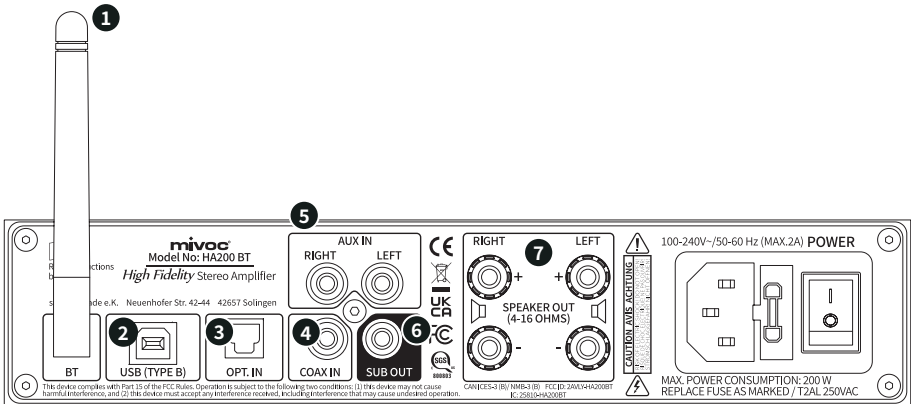


Figure 2. HA200 BT – input and output terminals.

- 1 **Bluetooth® receiver** for wireless audio signal transmission from a compatible Bluetooth® device (e.g. smartphone, tablet, computer, streaming stick etc.).
- 2 **USB type B input** with automatic sampling frequency adjustment for the transmission of audio signals from a USB device (e.g. computer etc.).
- 3 **Optical digital stereo input (OPT. IN)** with automatic sampling frequency adjustment for connection of peripheral devices with digital optical stereo output.
- 4 **Electrical digital stereo input (COAX IN)** with automatic sampling frequency adjustment for connecting peripheral devices with electrical digital stereo output.
- 5 **Analogue unbalanced stereo line input (AUX IN)** for connecting peripheral devices with analogue stereo output.
- 6 **Analogue unbalanced subwoofer output (SUB OUT)** for connecting the HA200 BT HiFi stereo amplifier to a subwoofer with integrated amplifier.
- 7 **Analogue speaker outputs (SPEAKER OUT)** for connecting the HA200 BT HiFi stereo amplifier to stereo hi-fi speakers.

# HA200 BT FRONT PANEL ELEMENTS

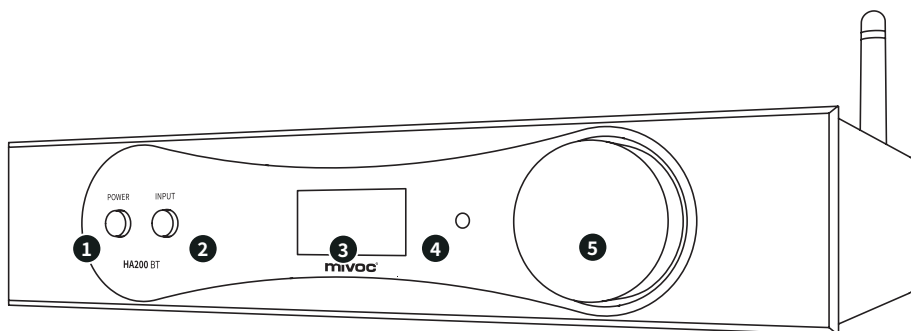


Figure 3. HA200 BT – Front panel elements.

- 1 Standby button (POWER):** You can use this button to switch the HA200 BT amplifier to standby mode (press and hold for approx. 3 seconds) or wake it up from standby mode (press briefly).
- 2 Input selection button (INPUT):** Here you can choose between the different inputs to the amplifier. When you reach the end of the selection options, the list starts again from the beginning.
- 3 Display:** The display shows you the current settings you have selected, plus further information for some menu items, for approx. 5 seconds.
- 4 Status LED:** Here you can see directly whether the HA200 BT is switched on or in standby mode.
- 5 Level control and mute button:** You can use this rotary control to adjust the listening volume. If you turn the control to the left, the volume decreases. If you turn the control to the right, the volume is increased. By pressing the rotary control you mute the output signal. Press again and you will hear the signal again.



All settings, including the current VOLUME, are saved when you switch the HA200 BT to standby mode.



MUTE OR SWITCH OFF THE HA200 BT BEFORE CONNECTING CABLES TO THE INPUTS AND OUTPUTS OF THE AMPLIFIER TO AVOID SUDDEN AND LOUD SOUNDS OCCURRING.



ANY PLAYER AND ANY AUDIO SIGNAL CAN PRODUCE A DIFFERENT VOLUME EVEN WHEN THE VOLUME CONTROL IS SET TO THE SAME LEVEL. THEREFORE, REDUCE THE VOLUME BEFORE SELECTING A DIFFERENT SIGNAL SOURCE USING THE INPUT SELECTOR BUTTON.

DE

EN

ES

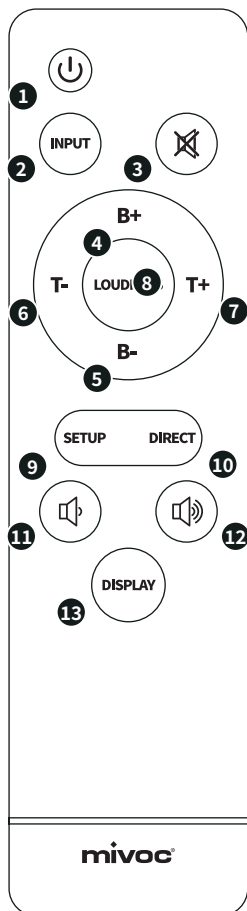
FR

IT

中文

# HA200 BT ELEMENTS OF THE REMOTE CONTROL UNIT


Settings that you make using the buttons and controls on the front of the amplifier can also be made using the remote control. The remote control also offers additional setting options.



**Figure 4.** HA200 BT – Elements of the remote control unit.

**1 POWER:** You can use this button to switch the HA200 BT to STANDBY (Off) or wake it up from STANDBY (On). All settings including the current VOLUME remain saved.

**2 INPUT:** Use this button to select the desired input. Pressing the button repeatedly switches the amplifier between inputs (AUX->COAX->OPT->USB->BT).

**3 MUTE** : This button lets you mute the outputs of the amplifier. Press the button again to cancel the mute function. The previously set volume is restored.

**4 BASS (B+):** Here you can boost the bass range in 1 dB steps up to a maximum of +6 dB.

**5 BASS (B-):** Here you can reduce the bass range in 1 dB steps down to a maximum of -6 dB.

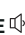
**6 TREBLE (T-):** Here you can reduce the treble range in 1 dB steps down to a maximum of -6 dB.


**7 TREBLE (T+):** Here you can boost the treble range in 1 dB steps up to a maximum of +6 dB.

**8 LOUDNESS:** At low volumes, you can use this function to increase the perceived loudness (+4 dB at 125 Hz).

**9 SETUP:** Select a suitable preset to optimise the amplifier for your connected hi-fi speakers and listening situation.

**10 DIRECT:** Bypasses any tone control setting (PRESET / LOUDNESS / BASS / TREBLE). Pressing the button again switches the tone control settings back on (TONE-ON).

**11 VOLUME** : Reduces the volume. The lowest value is 1.

**12 VOLUME** : Increases the volume. The highest value is 99.

**13 DISPLAY:** Switches the display off or on.



# HA200 BT PRESETS

The included presets are predefined sound profiles that use optimised parameters and settings to match the amplifier to your hi-fi speakers or system. This ensures that you can enjoy the best possible sound experience. The presets are described below to help you make your choice.

|           |  |
|-----------|--|
| FLAT      | Straight frequency response without tone control or filters.   |
| Gen FR    | Straight frequency response without tone control but with subsonic filter. (High-pass filter with cut-off frequency at 15 Hz as a protective function)   |
| Gen SAT   | Straight frequency response without tone control but with high-pass filter with cut-off frequency at 85 Hz. (Reduces the loading on the connected hi-fi speakers and improves sound distribution when used with a subwoofer) |
| HM5 FR    | Frequency response optimised for mivoc HM5 speakers in full-range operation. (HM5 speakers reproduce the entire sound spectrum)  |
| HM5 SAT   | Frequency response optimised for mivoc HM5 speakers in conjunction with a subwoofer. (Speaker output with high-pass filter with a cut-off frequency of 85 Hz)  |
| HM5FR Vc  | Frequency response optimised for voice reproduction with mivoc HM5 speakers in full-range mode. (HM5 speakers reproduce the entire sound spectrum)   |
| HM5SAT Vc | Frequency response optimised for voice reproduction with mivoc HM5 speakers in conjunction with a subwoofer. (Speaker output with high-pass filter with a cut-off frequency of 85 Hz)  |

**Table 1.** HA200 BT - Presets



Sound and system settings can only be made using the remote control. The volume and sound settings of the HA200 BT amplifier are passed to the subwoofer output.



The remote control requires 2 x AAA batteries for its power supply. If the battery capacity remaining is low, the remote control may transmit control commands to the HA200 BT HiFi amplifier only partially or not at all. If this happens, replace the batteries. Remove the batteries if you are not using the remote control or the HA200 BT amplifier for a longer period of time to prevent the batteries from leaking and causing damage.



THE HA200 BT IS SUPPLIED WITH MATCHING BATTERIES FOR THE REMOTE CONTROL, SO YOU CAN GET STARTED RIGHT AWAY. THESE BATTERIES ARE BATTERIES OF THE BRAND VARTA INDUSTRIAL PRO. PLEASE REMEMBER THAT EMPTY BATTERIES DO NOT BELONG IN HOUSEHOLD WASTE. ALWAYS RETURN BATTERIES TO A COLLECTION POINT FOR RECYCLING. THIS PROTECTS THE ENVIRONMENT, PEOPLE AND ANIMALS, AND RETURNS RESOURCES TO THE CYCLE.

DE

EN

ES

FR

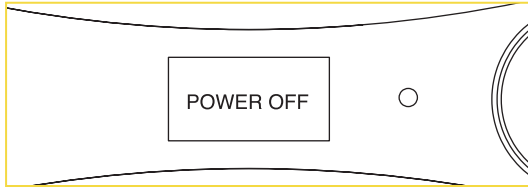
IT

中文

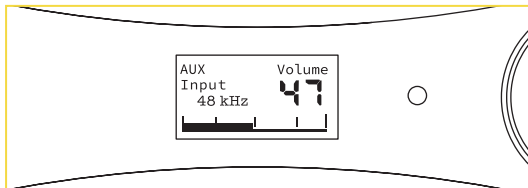
## SHOWING THE HA200 BT DISPLAY



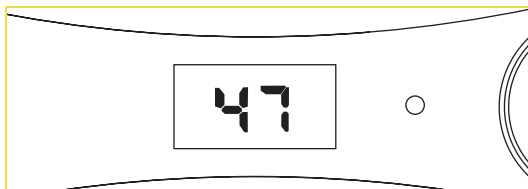
When you press the **POWER** button on the remote control (p. 16 1) or on the front of the amplifier (p. 15 1), the information shown opposite appears on the display for a few seconds while the amplifier switches to operating mode.



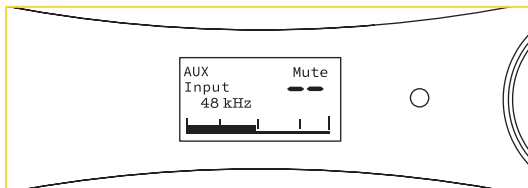
When you press the **POWER** button on the remote control (p. 16 1) or on the front of the amplifier (p. 15 1), the information shown opposite appears on the display for a few seconds while the amplifier switches from operating mode to **STANDBY** mode.



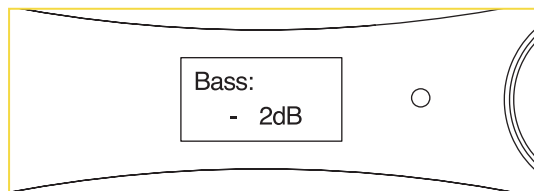
**Standard view:** In operating mode, the display shows the currently active **input (INPUT)** incl. the sampling frequency (on the left) and the current **volume (LEVEL)** as a relative value (on the right). The volume value and range are also displayed graphically. When changing the input with the **INPUT** button on the remote control (p. 16 2) or on the front of the amplifier (p. 15 2), the newly selected and activated input is displayed accordingly on the left.



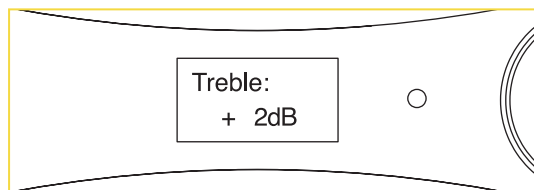
When changing the volume (**LEVEL**) with the rotary knob on the front of the amplifier (p. 15 5) or the volume buttons on the remote control (p. 16 11 and 12), the newly set value is displayed for a few seconds. The display then switches back to the standard view.



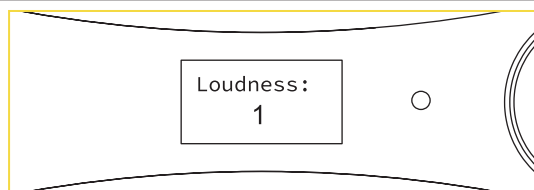
If the **MUTE** function is activated with the **MUTE** button on the front of the amplifier (p. 15 5) or on the remote control (p. 16 3), the MUTE status appears on the right-hand side of the display in the standard view. When the **MUTE** function is deactivated, the display returns to the standard view.



If the bass range is adjusted using the tone control buttons **B+** or **B-** on the remote control (p. 16 4 and 5), the newly set value is shown on the display for a few seconds. The display then switches back to the standard view.



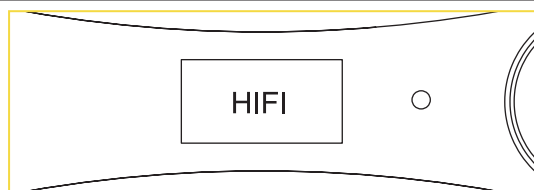
If the treble range is adjusted using the tone control buttons **T+** or **T-** on the remote control (p. 16 6 and 7), the newly set value is shown on the display for a few seconds. The display then switches back to the standard view.



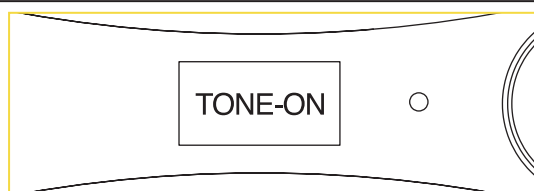
When activating the **LOUDNESS** function via the **LOUDNESS** button on the remote control (p. 16 8), the value **1**, and when deactivated **OFF**, is shown on the display for a few seconds. The display then switches back to the standard view.



If a predefined sound profile (preset) is selected via the **SETUP** button on the remote control (p. 16 9), the newly selected preset is shown on the display for a few seconds. The display then switches back to the standard view.



If all sound settings (PRESET / LOUDNESS / BASS / TREBLE) are disabled with the **DIRECT** button on the remote control (p. 16 10), the word **HIFI** appears on the display.



If all sound settings (PRESET / LOUDNESS / BASS / TREBLE) are selected with the **DIRECT** button on the remote control (p. 16 10), the word **TONE-ON** appears on the display for a few seconds. The display then switches back to the standard view.

- DE
- EN
- ES
- FR
- IT
- 中文

# HA200 BT POWER SUPPLY

The HA200 BT is designed for operation on a mains supply rated at

100-240 V~ / 50-60 Hz.

A device fuse is integrated to ensure safe operation. An IEC power cable with earthing contact plug (supplied) is required for connecting to the mains supply.

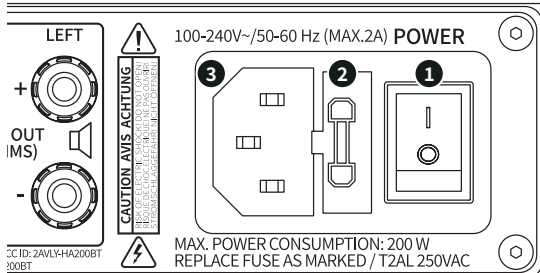


Figure 5. HA200 BT - Power input and fuse.

- 1 POWER:** The power switch switches the HA200 BT amplifier completely off [0] or to STANDBY [I] for operation. For safety reasons, the volume level is reset to the default setting of 30 when the power switch is switched off. The current INPUT and PRESET settings are retained.
- 2 Fuse holder:** The integrated fuse serves a protective function for the amplifier. In the event of an overload, the fuse blows and the power supply to the amplifier is interrupted. When replacing the fuse, ensure that only type-approved fuses are used.
- 3 Power cable input:** Connection for an IEC power cable with earthing contact. Only approved power cables that comply with the regulations applicable at the place of operation may be used.

# MIVOC HA200 BT INSTALLATION

## BLUETOOTH® ANTENNA

Before you can use the signal transmission via Bluetooth®, you must attach the Bluetooth® antenna supplied to your HA200 BT HiFi stereo amplifier.

To attach the antenna, proceed as follows:

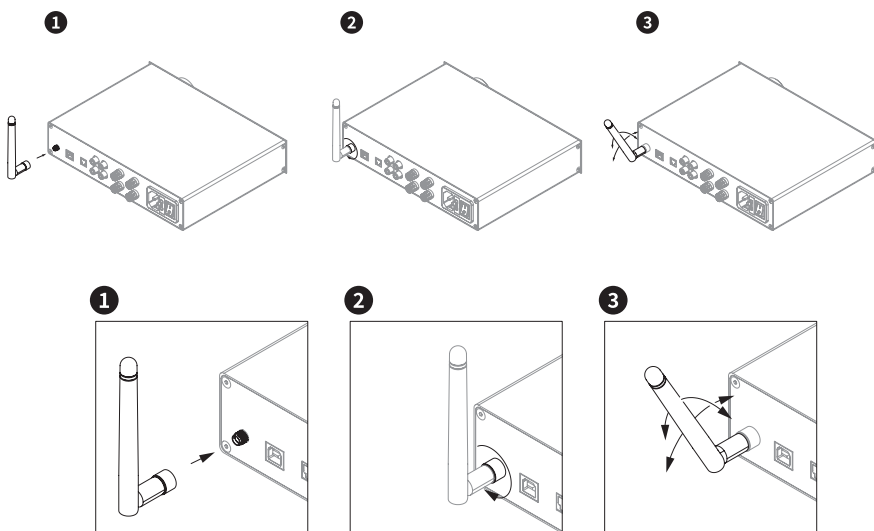


Figure 6. HA200 BT - Mounting the BT antenna.

- 1 Firstly, ensure that your HA200 BT is standing on a firm and stable surface. Carefully plug the antenna into the antenna socket.
- 2 Secure the attachment by tightening the screw-on sleeve of the antenna. To do this, hold the antenna firmly with one hand and turn the sleeve clockwise with the other until it is hand-tight.
- 3 The antenna can be tilted and swivelled until you obtain the best possible Bluetooth® connection. Start with a vertical alignment, as shown in Figure 2.



If you connect a device via Bluetooth® and the connection is unstable, try tilting the antenna in different positions. Note that obstacles (e.g. furniture, walls, etc.) and other Bluetooth® devices may affect the Bluetooth® connection.

DE

EN

ES

FR

IT

中文

## CONNECTING TO THE MAINS SUPPLY

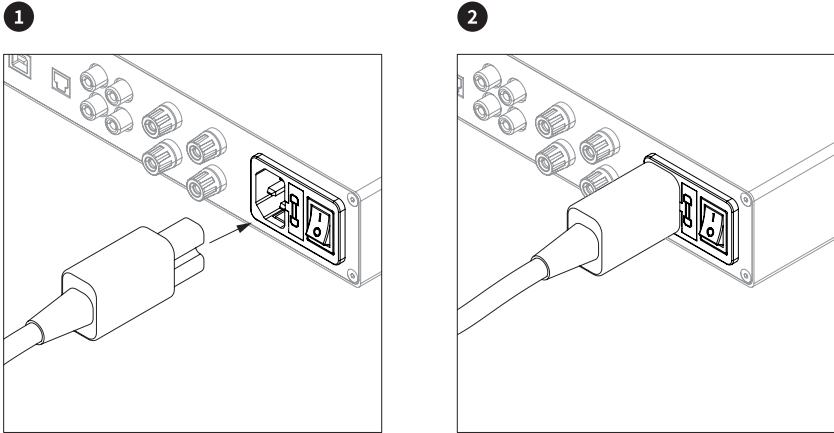


Figure 7. HA200 BT – Connecting the power cable.

- 1 Use the end of the power cable fitted with the IEC plug.
- 2 Insert the IEC plug into the power cable socket until the plug is fully inserted into the socket. Ensure that the plug is not tilted and that the cable is not kinked.



Do not insert the earthed mains plug of the power cable into a mains socket until you have made all other connections (see next section). **Switch off the appliance and disconnect the mains plug from the mains socket before you make any changes to the wiring.**



Make sure that the power cable is not crushed or damaged in any other way. Ensure that the socket and the power cable connection to your product are undamaged.

# PREPARING THE SPEAKER CABLES

You will need suitable speaker cable to connect your hi-fi speakers. You will need to prepare these cables before connecting the speakers to your HA200 BT HiFi stereo amplifier.

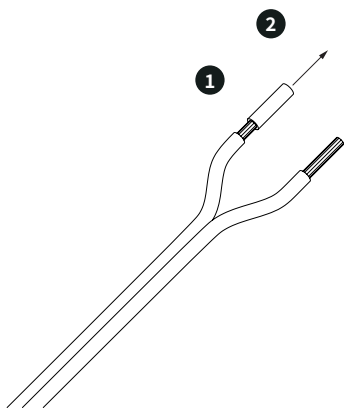


Figure 8a. Stripping the cable.

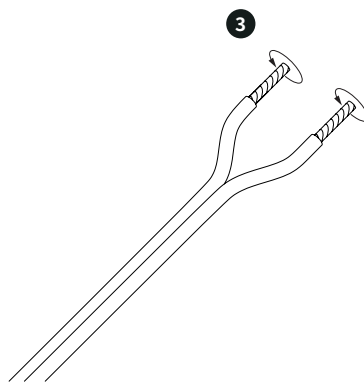


Figure 8b. Twisting the cable ends.

1 2

Remove a piece of the cable insulation at each end of each speaker cable to suit the depth of the amplifier terminals and that of the cable retainer or plug of the speaker terminal.

3

Twist the strands of the cables such that no individual strand protrudes and a uniform, stable cable end is created.



It is best to use a wire stripper tool. This allows you to strip the cable without damaging the conductors. Follow the instructions of the wire stripper.



If you are using plugs, follow the instructions supplied with them to connect the speaker cable to the plugs correctly.



The best signal quality is achieved if you use shielded signal cables for the amplifier inputs, which are specially designed for the transmission of low-level audio signals, and high-quality loudspeaker cables.

DE

EN

ES

FR

IT

中文

# CONNECTING THE LOUDSPEAKERS

You can connect your hi-fi speakers to the SPEAKER OUT terminals. The HA200 BT is compatible with all hi-fi speaker systems with a nominal impedance of between 4 Ω and 16 Ω.

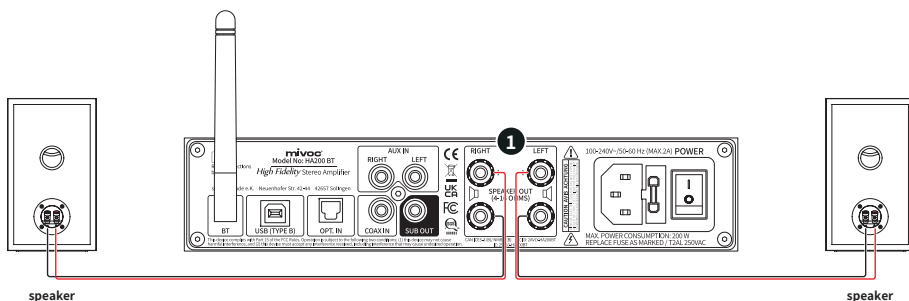


Figure 9. HA200 BT - Connecting the stereo hi-fi speakers.

Connect your HiFi speakers to your HA200 BT HiFi stereo amplifier using a suitable speaker cable. **1** Connect the minus (-) terminal of your hi-fi speaker to the minus (-) connection of the relevant output (Speaker Out) of your HA200 BT (Figure 6 shows the right-hand channel output as an example). **2** Connect the plus (+) terminal of the speaker to the plus (+) terminal of the same amplifier output (in this example the right-hand channel). Connect the second hi-fi speaker to the other speaker output in the same way.



Figure 10. HA200 BT - Connecting the loudspeakers.



The speaker terminals can accommodate cables with a cross-section of up to 2.5mm<sup>2</sup> or plugs with a diameter of up to 4 mm.



Read the instructions for your hi-fi speakers before connecting them to the HA200 BT.



# CONNECTING A SUBWOOFER

You can connect an active subwoofer (i.e. with its own integrated amplifier) directly to your HA200 BT HiFi stereo amplifier. The SUB OUT output is used for this purpose.

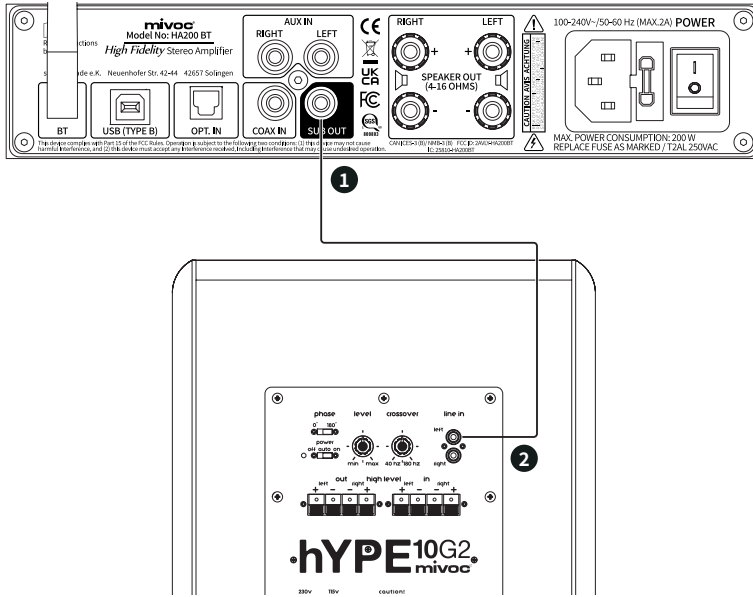


Figure 11. HA200 BT – Connecting a subwoofer.

Connect the SUB OUT using a shielded RCA (cinch) audio cable **1** of the HA200 BT to the LINE IN signal input **2** of your subwoofer. When inserting the RCA plug into the RCA socket, ensure that you do not tilt the plug and that the cable is not kinked.



If your subwoofer is equipped with more than one input, e.g. a stereo input, use the left input.



Read the instructions for your subwoofer before connecting it to the HA200 BT.



The labelling of inputs and outputs on hi-fi equipment can be very different.

DE

EN

ES

FR

IT

中文

# CONNECTING A TURNTABLE

There are three ways in which you can connect a turntable to the HA200 BT HiFi stereo amplifier. If the turntable does not have a phono preamplifier (preamp) built in, you will need to connect a phono preamp to the turntable. A phono preamplifier is a special booster that strengthens and equalises the signal from the turntable for transmission to the HA200 BT amplifier.

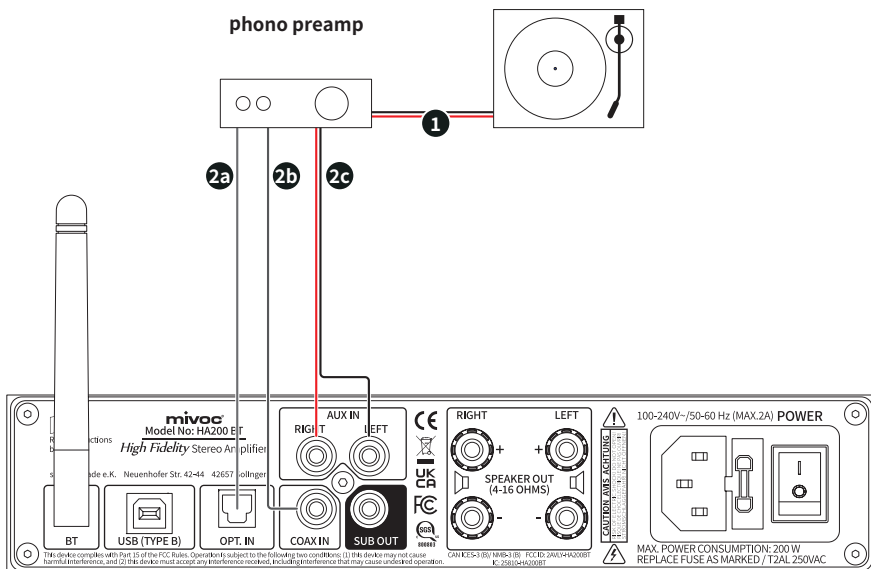


Figure 12. HA200 BT – Connecting a turntable.

Connect the output of the turntable to the input of your phono preamp using a shielded RCA (cinch) audio cable **1**. Depending on the outputs offered by your phono preamp, you can use one of the inputs to the HA200 BT **2**:

- a) Optical digital stereo input (Toslink/optical fibre)
- b) Electric digital stereo input (S/PDIF/COAX)
- c) Analogue unbalanced stereo line input (RCA/cinch).



To prevent damage or poor sound quality, be sure to connect a phono preamp between the turntable and your HA200 BT HiFi stereo amplifier. Read and follow the instructions provided with the turntable and the preamp.



Some turntables also feature a USB port. This USB port cannot be connected to the HA200 BT HiFi stereo amplifier. It is used only for direct signal connection to a computer or a compatible mobile end device.

# CONNECTING AUDIO SOURCES

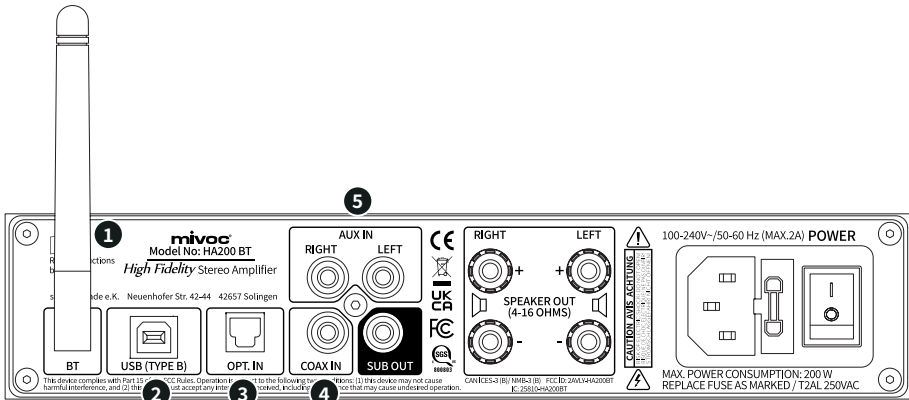


Figure 13. HA200 BT – Connecting audio signals.

- 1 Bluetooth®:** Select the **BT** input using the INPUT button on the front of the unit or on the remote control. The selected input is shown on the display. The HA200 BT amplifier appears in the list of Bluetooth® devices as ‘BT HiFi Audio’ . Once you have paired your device (e.g. smartphone, tablet, computer, streaming/TV stick etc.) with the HA200 BT, you can send audio signals wirelessly via the Bluetooth® connection.
- 2 USB connection (type B):** Connect the HA200 BT to a compatible device (e.g. computer) using a USB cable. In the audio system settings, the HA200 BT automatically appears as an output device. You don't need to worry about the sampling frequency or bit depth, as the HA200 BT matches these settings automatically (sampling frequency adjustment). Select the **USB** input using the INPUT button on the front of the unit or on the remote control. The selected input is shown on the display.
- 3 Optical digital stereo input (Toslink):** Connect a source with an optical digital output (e.g. CD player, Blu-ray/DVD player, TV, games console etc.) to this input using an optical fibre cable. Select the **OPT** input using the INPUT button on the front of the unit or on the remote control. The selected input is shown on the display. The HA200 BT adjusts all settings automatically.
- 4 Electric digital stereo input (S/PDIF):** Connect a player with a coaxial digital output (e.g. CD player, Blu-ray/DVD player, TV, games console etc.) to this input using a 75 Ω cinch cable for the transmission of digital signals. Select the **COAX** input using the INPUT button on the front of the unit or on the remote control. The selected input is shown on the display. The HA200 BT adjusts all settings automatically.
- 5 Analogue unbalanced stereo line input (RCA/cinch):** You can connect players with an analogue unbalanced stereo output (e.g. CD player) to this input. Use a shielded RCA (cinch) audio cable for this. Select the **AUX** input using the INPUT button on the front of the unit or on the remote control. The selected input is shown on the display. The amplifier processes the signal with a sampling frequency of 48 kHz.

DE

EN

ES

FR

IT

中文

# IMPORTANT INFORMATION

## Replacing the fuse.

If the safety fuse trips, you must replace it. **Use ONLY the same type of fuse and observe the rating indicated on your HA200 BT HiFi stereo amplifier.** Follow the steps below to replace the fuse:

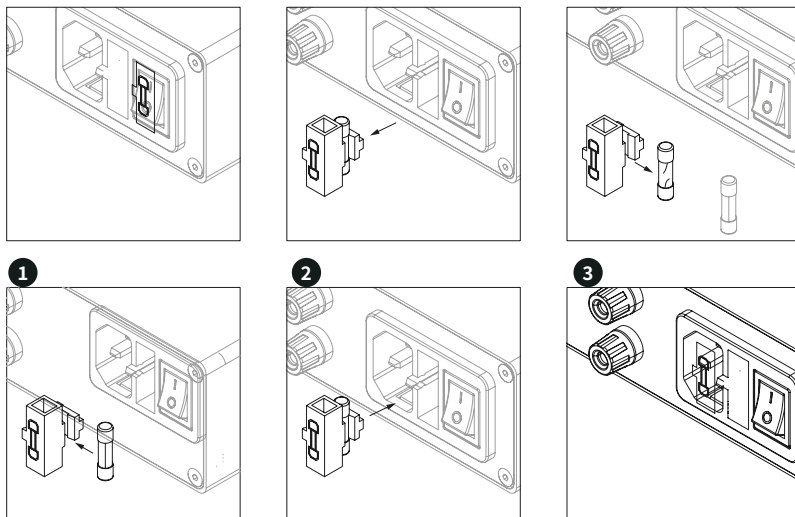


Figure 14. HA200 BT – Replacing the fuse

- 1 Switch off the HA200 BT and disconnect the power cable from the mains socket.
- 2 Now carefully remove the fuse holder.
- 3 Remove the defective fuse and dispose of it properly.
- 4 Insert the new fuse (T2AL250VAC) into the fuse holder.
- 5 Replace the fuse holder in the housing.
- 6 Make sure that the fuse holder is correctly inserted and locked in place.



UNDER NO CIRCUMSTANCES SHOULD THE FUSE BE BYPASSED.



THE AMPLIFIER MUST BE ISOLATED FROM THE POWER SUPPLY WHEN CHANGING THE FUSE. SWITCH OFF THE AMPLIFIER COMPLETELY AND THEN DISCONNECT THE MAINS PLUG FROM THE MAINS SOCKET. DO NOT REACH INTO THE FUSE HOLDER AND DO NOT INSERT A SCREWDRIVER OR OTHER OBJECTS.



IF THE FUSE BLOWS SEVERAL TIMES IN SUCCESSION, DISCONNECT THE UNIT FROM THE MAINS AND CONTACT YOUR MIVOC DEALER OR MIVOC SUPPORT IMMEDIATELY.

# SETTING UP THE MIVOC HA200 BT

The following instructions describe the steps required for setting up your HA200 BT HiFi stereo amplifier and will help you with the system settings.

- 1** First, familiarise yourself with all the points in these operating instructions.
- 2** Make sure that your HA200 BT HiFi stereo amplifier is undamaged and that the external conditions are appropriate for the intended use.
- 3** Attach the Bluetooth® antenna.
- 4** Connect the power cable. However, leave the HA200 BT amplifier switched off for now.
- 5** Connect your hi-fi speakers and your subwoofer, if you are using one.
- 6** Connect your wired peripheral devices (players), e.g. CD players etc. to the appropriate analogue and/or digital inputs.
- 7** Switch on the HA200 BT using the POWER switch on the rear panel. The amplifier is now in STANDBY mode. Switch on your subwoofer, if you are using one.
- 8** Now press the POWER button on the front panel. The amplifier switches from STANDBY mode to operating mode.
- 9** Make sure that the volume of the HA200 BT amplifier is set to a low level (<30). Set the volume control of your subwoofer, if present, to the lowest value (minimum).
- 10** Use the SETUP button to select the appropriate preset for your system. The description of the presets given in the overview table will help you make the right choice. The currently selected preset is shown on the display.
- 11** Now select the desired input using the INPUT button on the front of your HA200 BT or on the remote control. If you want to play a signal via Bluetooth®, connect your Bluetooth® device after selecting the input.
- 12** Activate your playback device and set a comfortable volume using the volume control on the front of the HA200 BT amplifier (rotary knob) or the volume buttons on the remote control (loudspeaker symbols).
- 13** Now set the parameters of your subwoofer (crossover, phase, volume) if you are using one.
- 14** Now you can adjust the sound with the tone controls (B+, B-, T+, T-, LOUDNESS) via the remote control.



READ THE OPERATING INSTRUCTIONS FOR YOUR PERIPHERAL DEVICES AND SUBWOOFER AND FOLLOW THE INSTRUCTIONS CONTAINED IN THEM.

DE

EN

ES

FR

IT

中文

# TECHNICAL DATA

## HA200 BT

### TECHNICAL DATA

|   |  |
|---|--|
| Amplifier type                            | Class D amplifier  |
| Number of channels                        | 2  |
| Output power <sup>1</sup>                 | 2 x 100 W  |
| Performance efficiency                    | >90%   |
| Min. impedance/impedance range            | 4 Ω / 4-16 Ω   |
| Frequency transmission range <sup>2</sup> | 20 Hz-20 kHz (depending on the selected preset and the system setup)   |
| DSP                                       | Bass (± 6 dB), treble (± 6 dB), loudness, presets  |
| Protective circuits                       | Overvoltage, overcurrent, short circuit  |
| Inputs                                    | Bluetooth®, analogue input (RCA/cinch), electric digital input (S/PDIF), optical digital input (Toslink), USB (type B)   |
| Outputs                                   | Stereo speaker output 4-16 ohm (speaker terminals), subwoofer output SUB OUT (RCA/cinch)   |
| Amplifier control elements                | Power supply on/off, STANDBY (ON/OFF), input selection button (INPUT), volume control knob with mute function  |
| Remote control elements                   | STANDBY , INPUT, MUTE $\times$ , B+ (bass), B- (bass), T+ (treble), T- (treble), LOUDNESS, SETUP, DIRECT, VOLUME- $\leftarrow$ , VOLUME+ $\rightarrow$ , DISPLAY |
| Display                                   | OLED (monochrome), can be switched off   |
| Operating voltage                         | 100 V AC - 240 V AC / 50-60 Hz (max. 2 A)  |
| Power on indication                       | Mains switch (illuminated), display  |
| Fuse                                      | T2AL 250VAC  |
| Maximum power consumption                 | 200 W  |
| Amplifier power supply                    | IEC mains input with earthing contact  |
| Remote control power supply               | 2 x AAA batteries  |

### MECHANICAL DATA

|  |                   |
|--|-------------------|
| Product dimensions [W x H x D] with BT antenna | 230 x 99 x 215 mm |
| Weight   | 1.65 kg           |
| Weight with packaging:                         | 2.19 kg           |

<sup>1</sup> in accordance with IHF-A-202 standard

<sup>2</sup> depending on the selected preset

# HA200 BT DIMENSIONS

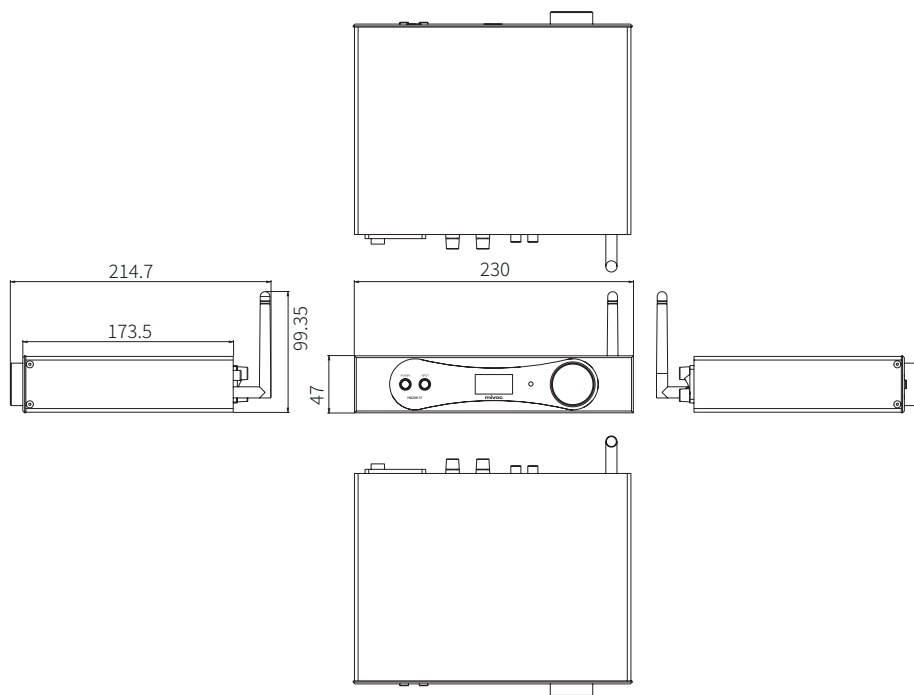


Figure 15. HA200 BT – Dimensions (mm).

DE

EN

ES

FR

IT

中文

# MANUFACTURER INFORMATION

## WARRANTY

mivoc grants a 2-year guarantee on mivoc products. The warranty period begins on the date of purchase. The guarantee applies to material or production defects. During the warranty period, defective components or products will be repaired or replaced free of charge by mivoc at its own discretion.

## TRANSFER OF THE WARRANTY

The warranty granted is transferable during the warranty period. A copy of the original proof of purchase is required when transferring the warranty.

## NOTE

mivoc does not guarantee uninterrupted and fault-free operation of its products.

### The warranty does not apply:

- To wearing parts and for natural wear and tear.
- For damage, defects or malfunctions caused by improper use or use for other than the intended purpose.
- For damage, defects or malfunctions caused by the application of force or by environmental conditions.
- For unauthorised repair attempts.

## REQUESTING WARRANTY SERVICES

Requests for warranty services can be submitted to mivoc or to the dealer from whom the mivoc products were purchased.

### Contacting

Neuenhofer Strasse 42-44

42657 Solingen

Germany

Telephone +49 212 382 26-0

E-mail [info@mivoc.com](mailto:info@mivoc.com)

Proof of purchase is required when claiming warranty services. In addition, you must allow mivoc the opportunity to verify the warranty claim (e.g. by sending in the products or an inspection by an authorised partner). Without proof of purchase, provision of a warranty service may be refused. In the case of an extended warranty period, proof of product registration must also be provided.

## IMPORTANT NOTE

Your statutory warranty rights are not affected by this warranty. Furthermore, this guarantee has no influence on any agreements made with a dealer.

## LIMITATION OF LIABILITY

mivoc shall not be liable for personal injury or damage to property or for claims arising from unsuitable, dangerous or improper use of the products.

## EU DECLARATION OF CONFORMITY

Mivoc devices comply with the basic requirements and other relevant specifications of the European Union directives. This declaration in detail and the list of these directives and harmonised standards are available on the website [www.mivoc.com](http://www.mivoc.com). This applies for all product variants, provided that they correspond to the original technical design and have not been subsequently modified mechanically, electrically or in their original condition.

## CORRECT DISPOSAL OF PRODUCTS (ELECTRONIC WASTE)

(Applicable in the European Union and all countries with separated waste collection systems).



To prevent possible harm to the environment or to human health, mivoc products must not be disposed of with other waste at the end of their service life.

Domestic users can either contact the dealer from whom they purchased the products or the local authority to obtain information on environmentally sound disposal. Commercial users can contact their supplier or an official local authority if they have any questions about disposal.

## EXPLANATION CONCERNING WEEE

mivoc products are developed and manufactured using high-quality materials and components that are designed to be recyclable and/or reusable.

mivoc as a trade mark of speaker trade is registered in accordance with the WEEE Directive.

## LICENCES AND COPYRIGHT

mivoc products may directly or indirectly contain software that is necessary or supplementary for their use. These software components may be mivoc's own developments or licensed or open-source products and solutions or a combination of the above. In the case of open-source licences, mivoc will provide a copy of the source code and the full text of the corresponding licence in accordance with the licence conditions on request. Excluded from this and protected by copyright are proprietary and licensed software solutions and software components.



DE

EN

ES

FR

IT

中文



**HEAD OFFICE**

Neuenhofer Strasse 42-44  
42657 Solingen, Germany

+49 212 382 26-0  
info@mivoc.com

**www.mivoc.com**



Designed in Germany  
Version 2024/06

**mivoc**, All rights reserved. The technical data and functional product features are subject to change.

Photocopying, translating or any other form of reproduction of parts or the whole of the user manual is prohibited.

© 2024 **mivoc** is a registered trademark of speaker trade e.K., Neuenhofer Straße 42-44, 42657 Solingen, Germany  
BLUETOOTH® is a registered trademark of Bluetooth SIG.