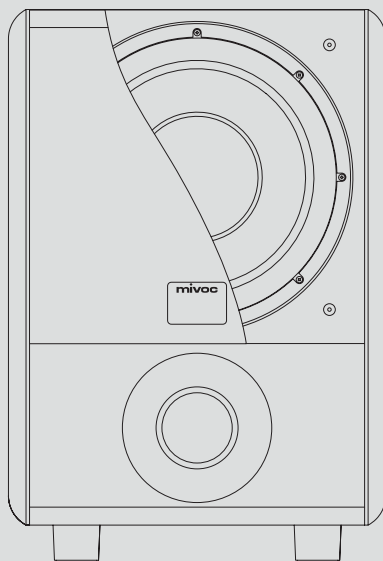


# hYPE10G2

HIFI SUBWOOFER



## OPERATING MANUAL

DE

EN

ES

FR

IT

中文



## SOUND – EXPERIENCE – JOY

**When you don't just hear a favourite song or film, but actually feel it, it's a very special experience. It can cast a spell over you! – It surrounds you and draws you fully into the moment! – You feel all the energy it contains! – And then... you find yourself simply feeling happy!**

# BOOM!

## WHEN SOUND BECOMES AN EXPERIENCE

Mivoc lets us bring our passion for excellent sound to life within our own four walls. Here, the expertise acquired as a result of decades of experience and our specialist knowledge established through the development of professional loudspeaker systems come together to create a listening experience that is pure joy - and we want to share it with you.

We are delighted that you share our love of sound and have chosen this mivoc product. To ensure that you get the most out of your mivoc product, we have summarised everything you need to know in this operating manual. We wish you lots of fun and many hours of immersive listening.

If you have any questions or would like to find out about other mivoc products, the mivoc website, available at [www.mivoc.com](http://www.mivoc.com), offers an array of informative content. You can also contact us at [info@mivoc.com](mailto:info@mivoc.com).

© mivoc® 2024. All rights reserved.

The contents of this document may be modified without prior notice, with a view to improving reliability, function, design or for other reasons.

DE

EN

ES

FR

IT

中文

# CONTENTS

<b>INSTRUCTIONS AND INFORMATION</b>	<b>5</b>
Use	5
Graphic symbols	5
Safety instructions	7
<b>PACKAGE CONTENTS</b>	<b>12</b>
Checking the packaging	12
Unpacking and checking the contents	12
<b>MIVOC HYPE 10G2</b>	<b>13</b>
Components	13
Connection and settings terminal	14
<b>MIVOC HYPE 10G2 INSTALLATION</b>	<b>19</b>
Front panel	19
Preparing the speaker cables	21
Connection to the mains supply	22
Audio signal connection	23
<b>MIVOC HYPE 10G2 INSTALLATION</b>	<b>29</b>
Distance to listening position	29
Configuring the hYPE 10G2	30
Distance to interfaces	31
<b>TECHNICAL DATA</b>	<b>32</b>
Specifications	32
Dimensions	33
<b>MANUFACTURER INFORMATION</b>	<b>34</b>

# INSTRUCTIONS AND INFORMATION

## USE

This product is a subwoofer with an integrated amplifier intended for use in dry indoor areas in private homes. The subwoofer is designed for a mains voltage of 230 V~/50 Hz or 115 V~/60 Hz. For operation, the subwoofer can be connected to audio outputs set to a low level or to the speaker outputs of audio devices. Incoming audio signals are processed, amplified and finally reproduced as an audible sound event. To ensure optimum and safe operation, only use your mivoc subwoofer as described in this manual. Use for purposes other than those intended or other than those described in this manual may result in personal injury or damage to property.

## GRAPHIC SYMBOLS

The product features graphic symbols. These symbols represent handling instructions that must be observed and indications of conformity with relevant directives.



The CE mark indicates conformity with the applicable EU directives regarding safety, health and environmental protection.



Symbol indicating compliance with Directive 2002/96/EC and Directive 2003/108/EC of the European Parliament on waste electrical and electronic equipment (WEEE).



This symbol indicates important operating and maintenance instructions that must be observed.



This symbol indicates that the product requires an electrical power supply and contains active electronic components. You must observe and follow the instructions when handling this electrical appliance.

DE

EN

ES

FR

IT

中文

You will encounter a number of graphic symbols in this manual. These symbols indicate important information and helpful hints.



This symbol indicates important operating and maintenance instructions that must be observed.



This symbol indicates that there are important operating and safety instructions that you must observe and follow in order to minimise the risk of personal injury and damage to property.



This symbol indicates that the relevant text passage contains worthwhile and helpful information concerning the product.



This symbol provides practical tips and ideas for the correct handling of the product.

# SAFETY INSTRUCTIONS

Be sure to observe the following safety instructions. This way, you can use your product safely and enjoy listening to music for a long time.

1. Read these operating instructions carefully and keep them in a safe place so that you can refer to them if necessary.

---

2. **Some mivoc products have small removable parts. Ensure that children do not have unsupervised access to mivoc products. Small parts pose a risk of swallowing and can cause injury or suffocation.**

---

3. **Do not allow children to play with the product or its packaging. There is a risk of injury and suffocation.**

---

4. Use only accessories recommended by mivoc.

---

5. Ensure that the unit is wired and set up correctly as described in this manual.

---

6. Mivoc products contain magnets of different strengths that generate a magnetic field around the product, which can have a negative effect on other devices (e.g. computers) or medical implants (e.g. pacemakers). Do not place any computer products on top of or in the immediate vicinity of your mivoc product and check with your doctor in advance if you have medical implants.

---

7. **Listening to loud audio for prolonged periods of time can lead to hearing damage and mental impairment. Please also be considerate of other household members, neighbours and pets.**

---

8. Do not touch the technical components or the inside of your mivoc product (membrane, bass reflex opening, connection contacts, ventilation openings, etc.). Doing so could damage parts, and you could also injure yourself.

---

9. Please switch off your mivoc product (if possible) and other connected devices (amplifiers, players, etc.) and disconnect them from the power supply before inserting and removing cables. This reduces the risk of electric shock or other damage or injury.

---

10. Only place this product on a firm surface and make sure that it cannot fall down or fall over.

---

11. Do not allow loudspeaker or other power and signal cables to form tripping hazards.

---

DE

EN

ES

FR

IT

中文

- 
12. Make sure that your mivoc product is positioned at least 50 cm away from heat sources (radiators, amplifiers, fireplace, candles, etc.). Insufficient distance from heat sources can cause malfunctions, damage or fire.
- 
13. Ensure that your mivoc product is not exposed to direct sunlight. Direct sunlight can result in high heat absorption. This can lead to malfunctions, damage or fire.
- 
14. Ensure that your mivoc product is sufficiently ventilated during operation and keep it at least 10 cm away from other objects.
- 
15. Do not cover the product with blankets, curtains, magazines or other objects.
- 
16. Do not place any containers holding liquids on or near your mivoc product.
- 
17. Check your mivoc product regularly for external damage and correct cabling.
- 
18. Do not use cleaning agents to clean the unit. A duster or a slightly damp cloth is sufficient. Ensure that no liquid gets into your mivoc product or comes into contact with the connections. Switch off your mivoc product (if possible) and other connected devices (amplifier, player, etc.) and disconnect them from the power supply before you start cleaning.
- 
19. Do not remove any housing components from your product. There are no parts inside that you can service yourself.
- 
20. For your own safety and that of third parties, do not modify your mivoc product, either in part or in whole, (by adding, modifying or removing components, etc.).
- 
21. **Always observe the safety and operating instructions for the other devices that you connect to your mivoc product.**
- 

When the product has reached the end of its service life, please take it to the collection point specified by the local authorities for disposal and recycling. By so doing, you help to conserve natural resources, protect human and animal health and preserve our environment.





Make sure that the signal reproduction via the subwoofer sounds interference-free in every situation. There should be no unwanted distortions, unusual noises or unwanted sound colouration. Ensure that there is no smell of burning and that no smoke is produced. Do not use your subwoofer under such conditions, as this could result in damage (risk of injury, damage to health, fire, damage to the loudspeaker or connected devices, etc.). In such cases, contact your mivoc dealer or mivoc support immediately.



High sound volumes or sudden loud sounds can cause hearing damage and other health impairments. Before each time you use the unit, first set the volume back to minimum, and from there you can then set it to your preferred listening level.

DE

EN

ES

FR

IT

中文



**IMPROPER USE CAN RESULT IN ELECTRIC SHOCK, FIRE HAZARDS AND OTHER HEALTH RISKS.**

Follow the basic precautions listed here to minimise or avoid the risk of serious injury or even death from electric shock, short circuits, damage, fire or other hazards. These precautionary measures include the following points, among others:

1. Only connect your mivoc product to a proper mains socket (230 V~/50 Hz or 115V~/60 Hz) for the power supply.
2. Ensure that the power cable is not crushed or damaged in any other way.
3. Ensure that the socket and the power cable connection to your product are undamaged.
4. Never touch the mains plug or the power connection of your mivoc product with wet or damp hands.
5. Never leave children near the product unattended. Children are unable to assess the dangers when using electrical appliances.
6. Do not bypass any protective device intended to prevent personal injury or damage to property caused by electricity.
7. Note the total possible load on your mains socket (power supply).
8. Observe the operating instructions for accessories and the power supply (e.g. multiple socket strips, peripheral devices, etc.).
9. Disconnect the product from the power supply during thunderstorms or if it will not be used for an extended period.
10. Do not leave your product unattended while in operation.
11. Leave all maintenance work and repairs to qualified service personnel. (e.g. if the mains plug is damaged, liquid has been spilt or objects have fallen into the appliance, or if the appliance has been exposed to rain or moisture, does not operate normally or has been damaged by a fall).



ONLY USE THE PRODUCT AFTER YOU HAVE THOROUGHLY FAMILIARISED YOURSELF WITH THE DANGERS POSED BY ELECTRICALLY POWERED DEVICES.



ONLY USE THE PRODUCT IN ITS UNDAMAGED AND ORIGINAL CONDITION.



OBSERVE LOCAL, STATUTORY AND OFFICIAL RULES AND REGULATIONS REGARDING THE USE OF ELECTRICALLY POWERED DEVICES.



FOLLOW ALL INSTRUCTIONS AND DIRECTIONS IN THIS OPERATING MANUAL. IF YOU HAVE ANY QUESTIONS OR QUERIES, PLEASE CONTACT YOUR MIVOC DEALER OR MIVOC SUPPORT.

DE

EN

ES

FR

IT

中文

# PACKAGE CONTENTS

Your mivoc product is supplied with the following items:

- 1 mivoc product
- 1 operating manual
- 1 QC PASS card
- 1 warranty card

## CHECKING THE PACKAGING

Please check the condition of the packaging of your product before you unpack it. If the packaging has been damaged during transport, remove the product from the packaging (as described below) and check it for visible damage before using it. Notify the delivery company immediately and contact your mivoc dealer or mivoc support for help and assistance. Carefully document any damage. Keep the shipping carton as evidence in the event of a complaint, which only you can lodge.

We generally recommend that you retain all packaging material and contents in case you need to transport the unit again in future.

## UNPACKING AND CHECKING THE CONTENTS

Carefully open the packaging. Take care not to damage the contents with pointed or sharp objects (scissors, knives) that you use to open the packaging. Remove the padding and protective material on top and lift the product out of the packaging. Do not exert any pressure on the external technical components (e.g. membrane, connection terminal, etc.). Check the contents of the packaging for completeness and damage. If you notice any damage, contact your mivoc dealer or mivoc support immediately before using the product and clarify how to proceed.



Open the packaging on the floor. This way, you can prevent your mivoc product from falling when lifting it out.



Allow your speakers to acclimatise after unpacking (or after transport) before using them. You can go ahead and set up and connect your speakers according to the instructions, but you should wait a little longer before you enjoy the sound of your new system for the first time.

# MIVOC hYPE 10G2

The hYPE 10 is equipped with a 25 cm (10-inch) woofer and is designed as a bass reflex system. It is characterised by a frequency range of >20 Hz to 180 Hz. The internal amplifier delivers an output power of 300 watts (120 W rms). The hYPE 10G2 subwoofer can be easily integrated into an existing setup. The subwoofer can be connected to a pre-out, subwoofer output or the speaker output of a soundbar, hi-fi system or AV receiver. Control options for crossover (crossover frequency), level (volume) and phase are available for sound tuning.

## hYPE 10G2 COMPONENTS

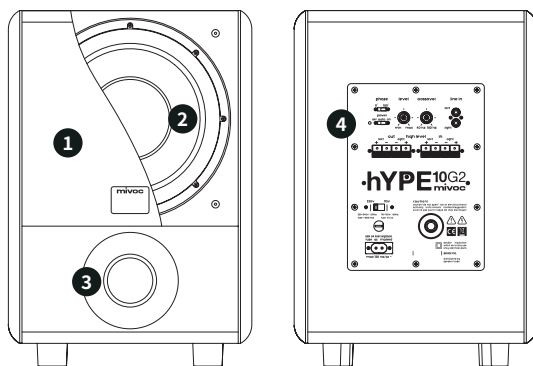


Figure 1. hYPE 10G2 - front and rear view.

- 1 Removable front cover
- 2 10-inch (25 cm) woofer
- 3 Bass reflex opening
- 4 Amplifier, connections and settings

DE

EN

ES

FR

IT

中文

# hYPE10G2 CONNECTIONS AND SETTINGS

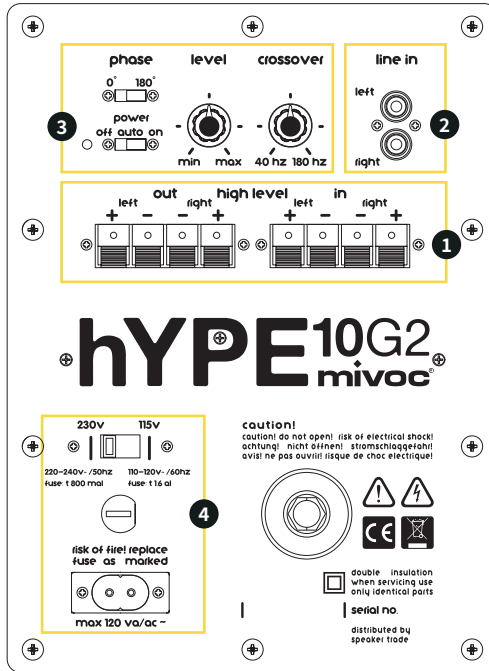


Figure 2. hYPE 10G2 - Connection terminal.

- 1 HIGH LEVEL connection terminal
- 2 LINE IN connection terminal
- 3 System settings
- 4 Power supply



The speaker terminals can accommodate cables with a cross-section of up to 2.5 mm<sup>2</sup> or plug connectors with a diameter of up to 4 mm.

# hYPE 10G2 HIGH LEVEL CONNECTION TERMINAL

If no separate subwoofer output or pre-out (preamplifier output) are available, you can connect your main system (receiver, hi-fi system, stereo amplifier, etc.) to the hYPE 10G2 subwoofer (High Level In) via its speaker outputs. Connect your stereo speakers (e.g. mivoc HM5) to the speaker outputs (High Level Out). The music signal from the High Level input is forwarded to the High Level output.

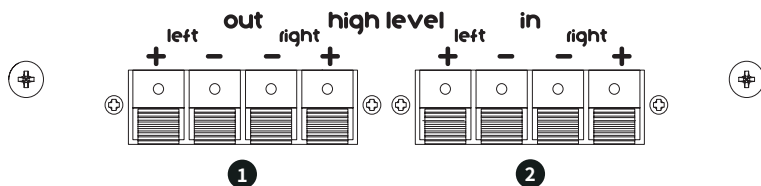


Figure 3. hYPE 10G2 - high level in/out.

- 1 Plus pole and minus pole connection terminals for left and right high level output (out)
- 2 Plus pole and minus pole connection terminals for left and right high level input (in)



NEVER USE THE "LINE IN INPUTS" AND THE "HIGH LEVEL INPUTS (HIGH LEVEL IN)" AT THE SAME TIME. MAKE SURE THAT YOUR MAIN SYSTEM IS DESIGNED FOR THE CONNECTION OF LOADS BETWEEN 4 OHM AND 16 OHM. FAILURE TO DO SO MAY RESULT IN DAMAGE TO ALL CONNECTED DEVICES, PERSONAL INJURY (ELECTRIC SHOCK) OR OVERLOADING (FIRE, SHORT CIRCUIT, ETC.).



MAKE SURE THAT THE STEREO SPEAKERS CONNECTED TO THE HIGH LEVEL OUTPUT (HIGH LEVEL OUT) HAVE A NOMINAL IMPEDANCE BETWEEN 4 OHM AND 16 OHM.

DE

EN

ES

FR

IT

中文

# hYPE10G2 LINE IN CONNECTION TERMINAL

You can connect your main system (receiver, hi-fi system, stereo amplifier, etc.) via its subwoofer output or the pre-out connection (preamplifier output) to the Line In input of the hYPE 10G2.

## line in

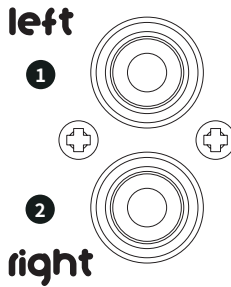


Figure 4. hYPE 10G2 - line in.

- ❶ RCA socket (white) for left line level input signal.
- ❷ RCA socket (red) for right line level input signal.



The best signal quality is achieved using shielded signal cables that are specially designed for the transmission of low-level audio signals.



If your main system only has one output (mono) for connecting a subwoofer, connect the output of the main system (pre-out, subwoofer output) to the left Line In input of the hYPE 10G2.



# hYPE 10G2 SYSTEM SETTINGS

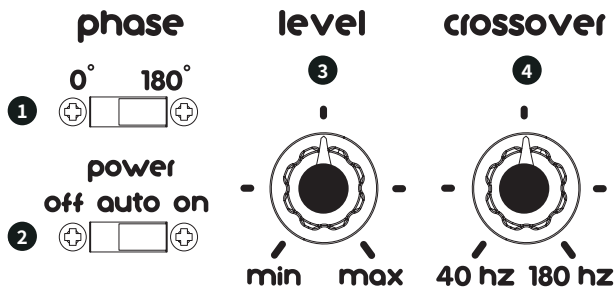


Figure 5. hYPE 10G2 - System settings.

- 1** PHASE (phase reversal switch): The phase reversal switch reverses the polarity. Use the setting ( $0^\circ$  or  $180^\circ$ ) at which the overall sound of your system sounds best to you.
- 2** POWER (on/off switch)  
OFF: The amplifier of the hYPE 10G2 is switched off  
AUTO: The amplifier of the hYPE 10G2 switches on automatically when a music signal is present.  
ON: The amplifier of the hYPE 10G2 is permanently switched on.
- 3** LEVEL (volume or control for the input sensitivity): Use this control to determine the volume level of the hYPE 10G2.
- 4** CROSSOVER (crossover frequency): Determine the crossover frequency of the hYPE 10G2 steplessly between 40 Hz and 180 Hz. Use the setting that gives you the best overall sound from your system.

DE

EN

ES

FR

IT

中文

# hYPE10G2 POWER SUPPLY

The hYPE 10G2 is designed for operation on power grids with

- a) 220-240 V with 50 Hz
- b) 110-120 V with 60 Hz.

ausgelegt. A device fuse is integrated to ensure safe operation. The appropriate fuse must be inserted depending on the mains supply with which the subwoofer is operated. Make sure that you have also selected the correct voltage range for your power supply using the voltage selector switch. A power cable with small appliance plug (C7) and Euro plug is required for the power supply.

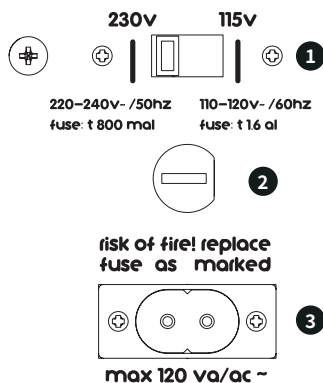


Figure 6. hYPE 10G2 - Power connection and fuse.

- 1 Voltage selector switch
- 2 Fuse holder
- 3 Power cable connection

# MIVOC hYPE 10G2 INSTALLATION

## FRONT PANEL

The front panel of the hYPE 10G2 can be removed and replaced without tools. Fastening is realised using frame plugs and frame bushes integrated into the housing and cover.

To remove the front panel, proceed as follows:

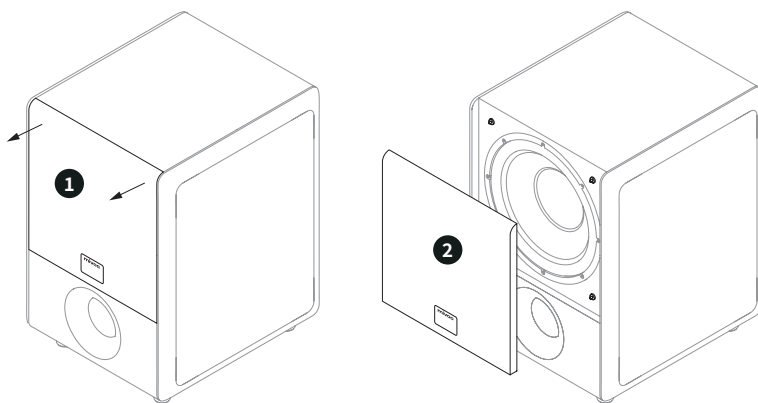


Figure 7. hYPE 10G2 - Removing the front panel.

**1** Firstly, make sure that your subwoofer is standing securely and firmly. First take hold of the front panel with one hand at one corner and hold the subwoofer with the other hand. Now pull carefully and evenly on the panel until you have pulled the frame bushing integrated in the cover from the frame dowel integrated in the housing.

Proceed in the same way with the remaining corners.

**2** Make sure that the front does not fall onto the floor when detaching the final fastening point.

DE

EN

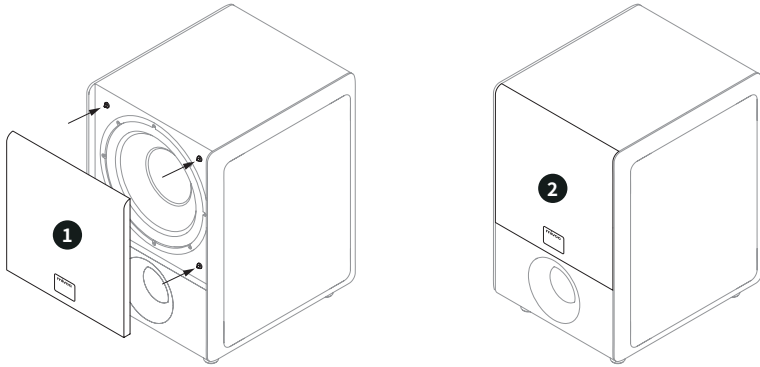
ES

FR

IT

中文

To attach the front panel, you can proceed as described below:



**Figure 8.** hYPE 10G2 - Attaching the front panel.

- 1** Ensure that the speaker is standing securely and firmly. Hold the front panel on the left and right-hand sides. Guide the panel evenly and slowly to the front of the speaker. Make sure that the corners of the panel line up with the corners of the front of the speaker.
- 2** Once you can see that the frame plugs are positioned above the frame bushes, press the dowel at the top left corner into its receptacle. Proceed in the same way with the remaining corners.

# PREPARING THE SPEAKER CABLES

If you are integrating your subwoofer into your system via the HIGH LEVEL inputs and outputs, you must first prepare the speaker cables.

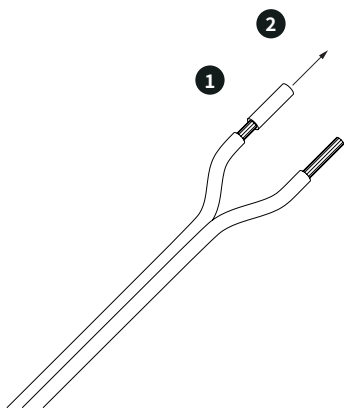


Figure 9a. Stripping the cable.

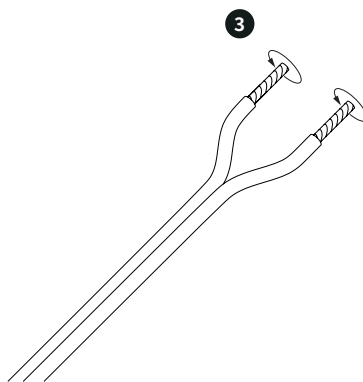


Figure 9b. Twisting the cable ends.

1 2

Remove a piece of the cable insulation at each end of each speaker cable to suit the depth of the amplifier terminals and that of the cable receptacle of the speaker connector.

3

Twist the strands of the cables as such that no individual strands protrude and a uniform, sturdy cable end is created.



It is best to use a wire stripper tool. This allows you to strip the cable without damaging the conductors. Follow the instructions for the wire stripper.



If you are using connector plugs, follow the instructions supplied with them to connect the speaker cable to the plugs correctly.

DE

EN

ES

FR

IT

中文

# CONNECTION TO THE MAINS SUPPLY

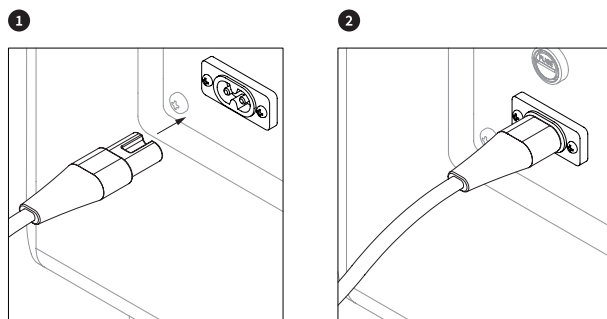


Figure 10. hYPE 10G2 - Power cable connection.

- 1 Use the end of the power cable fitted with the C7 plug.
- 2 Insert the C7 plug into the C7 socket until the plug is fully seated in the socket. When plugging in, ensure that the plug is not tilted and the cable is not kinked.



Only plug the Euro plug of the power cable into a mains socket after you have established all other connections (see following chapter). **Disconnect the mains plug from the mains socket when changing the cabling.**

# AUDIO SIGNAL CONNECTION

There are three ways to connect your hYPE 10G2 to your hi-fi system. Which option is right for you will depend on the connection options offered by your control device (amplifier, hi-fi system, AV receiver, soundbar, etc.).

## Option 1: Subwoofer output / preamplifier direct output

If your control unit is equipped with a subwoofer output (Sub-Out) or a preamplifier direct output (Pre-Out), you can use the LINE IN inputs of the hYPE 10G2.

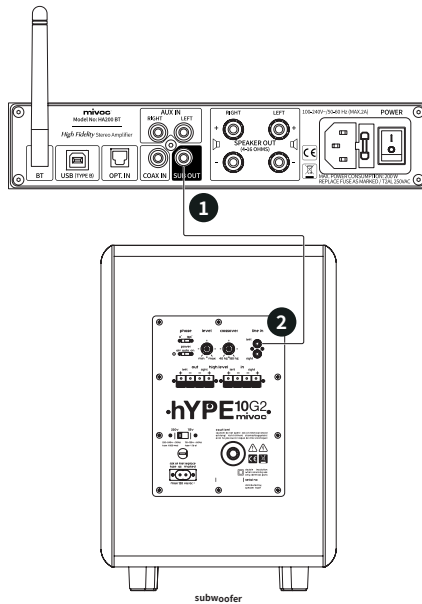


Figure 11. hYPE 10G2 - Audio connection with sub-out/pre-out.

Connect the Sub-Out/Pre-Out **1** of your control unit to the LINE IN **2** of the hYPE 10G2 using a shielded cinch (RCA) audio cable. When inserting the cinch (RCA) plugs into the cinch (RCA) sockets, make sure that you do not tilt the plugs and that the cable is not kinked.

DE

EN

ES

FR

IT

中文

## Option 2: HIGH LEVEL IN/Parallel operation

If your control unit does not have a subwoofer output (Sub-Out) or a preamplifier direct output (Pre-Out), you can use the HIGH LEVEL IN inputs of the hYPE 10G2 and the speaker outputs of the control unit. Connect your stereo speakers to the speaker outputs of your control unit, in parallel with the hYPE 10G2. You can use this option if the control unit's speaker outputs are large enough to accommodate two speaker cables on one connection and provided the control unit is able to work with the resulting total impedance (see the notes below).

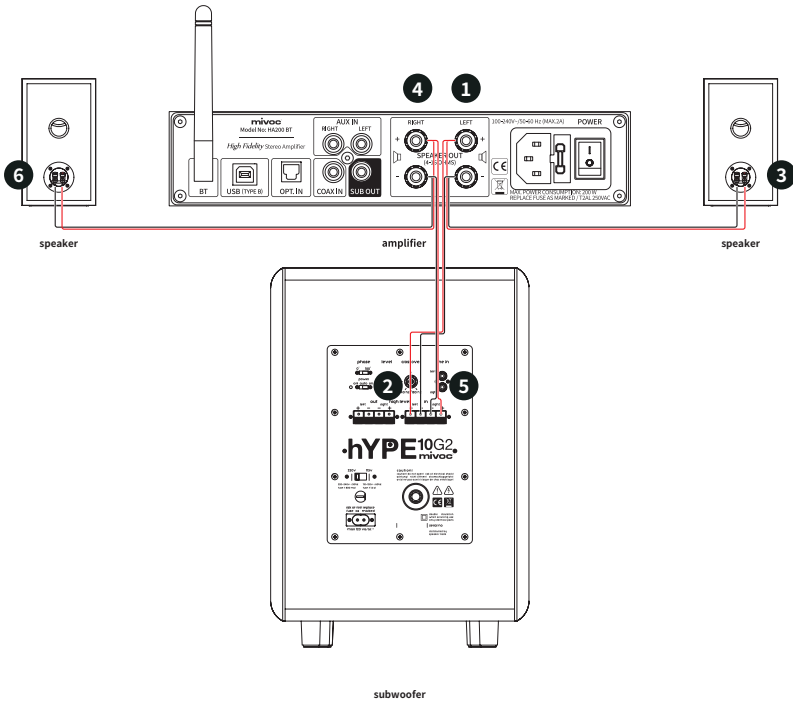


Figure 12. hYPE 10G2 - Audio connection with the HIGH LEVEL input.

Connect the left speaker output of your control unit **1** to the left HIGH LEVEL IN **2** of the hYPE 10G2



using a speaker cable. Use a second speaker cable to connect the same left speaker output **1** of your control unit to one of your stereo speakers **3** (L). Make sure that you connect the connections labelled minus (-) to each other and the connections labelled plus (+) to each other.

Then connect the right speaker output **4** of your control unit to the right HIGH LEVEL IN **5** of the hYPE 10G2 using a speaker cable. Use a second speaker cable to connect the same right speaker output **4** of your control unit to the second stereo speaker **6** (R). Make sure that you connect the connections labelled minus (-) to each other and the connections labelled plus (+) to each other.

If you connect two speakers in parallel, the total impedance is reduced: The total impedance of two 8 Ohm loudspeakers connected in parallel is 4 Ohm. If you connect two 4 Ohm speakers in parallel, the total impedance is reduced to 2 Ohm.



Your control unit (e.g. amplifier) must be able to cope with the new total impedance. How low the minimum impedance can be is specified in the operating instructions for your control unit, and usually on the device itself as well.

Make sure that the impedance of your speakers or the total impedance in a parallel connection is equal to or greater than the minimum impedance of your control unit.

DE

EN

ES

FR

IT

中文

### Option 3: HIGH LEVEL IN/HIGH LEVEL OUT

If your control unit does not have a subwoofer output (Sub-Out) or a preamplifier direct output (Pre-Out) and option 2 is not technically possible, you can use the HIGH LEVEL IN inputs and the HIGH LEVEL OUT outputs of the hYPE 10G2 as well as the speaker outputs of the control unit.

In this case, connect your stereo speakers to the HIGH LEVEL OUT outputs of the hYPE 10G2 (follow the instructions below).

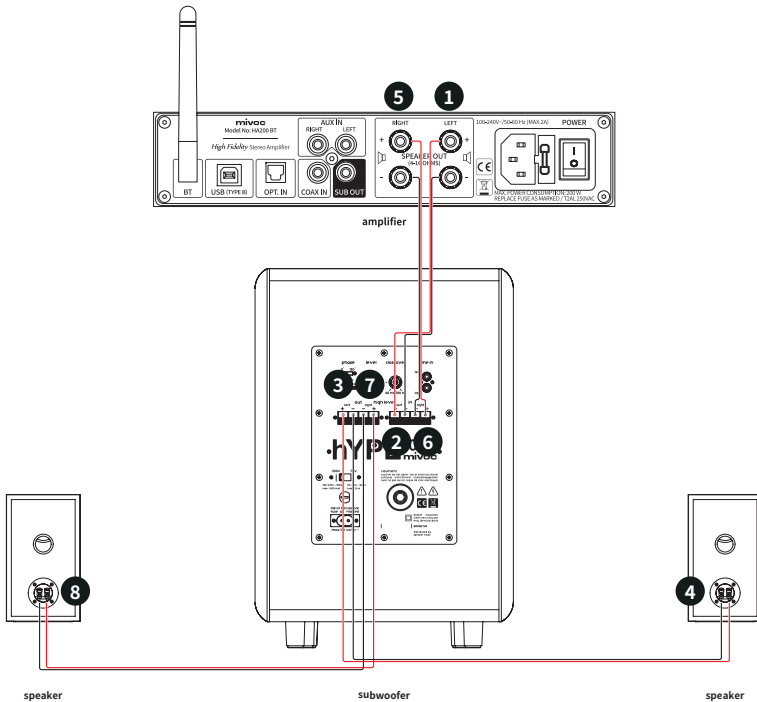


Figure 13. hYPE 10G2 - Audio connection with the HIGH LEVEL input and output.

Connect the left speaker output of your control unit **1** to the left HIGH LEVEL IN **2** of the hYPE 10G2 using a speaker cable. Use a second speaker cable to connect the left HIGH LEVEL OUT **3** of the hYPE 10G2 to one of your stereo speakers **4** (L). Make sure that you connect the connections labelled minus (-) to each other and the connections labelled plus (+) to each other.

Connect the right speaker output of your control unit **5** to the right HIGH LEVEL IN **6** of the hYPE 10G2 using a speaker cable. Connect the right HIGH LEVEL OUT **7** of the hYPE 10G2 to your second stereo speaker **8** (R) using a second speaker cable. Make sure that you connect the connections labelled minus (-) to each other and the connections labelled plus (+) to each other.

If you connect two speakers in parallel, the total impedance is reduced: The total impedance of two 8 Ohm loudspeakers connected in parallel is 4 Ohm. If you connect two 4 Ohm speakers in parallel, the total impedance is reduced to 2 Ohm.



Your control unit (e.g. amplifier) must be able to cope with the new total impedance. How low the minimum impedance can be is specified in the operating instructions for your control unit, and usually on the device itself as well.

Make sure that the impedance of your speakers or the total impedance in a parallel connection is equal to or greater than the minimum impedance of your control unit.

DE

EN

ES

FR

IT

中文

# IMPORTANT INFORMATION

## Replacing the fuse.

If the fuse blows as a protective function or when you make the adjustment to your power supply, you must replace the fuse. **ONLY use the same type of fuse and observe the information on your hYPE 10G2.** Follow the steps below to replace the fuse.



THE SUBWOOFER MUST BE POWERED OFF WHEN CHANGING THE FUSE. THEREFORE, UNPLUG THE MAINS PLUG FROM THE MAINS SOCKET. DO NOT REACH INTO THE FUSE HOLDER AND DO NOT INSERT THE SCREW-DRIVER.

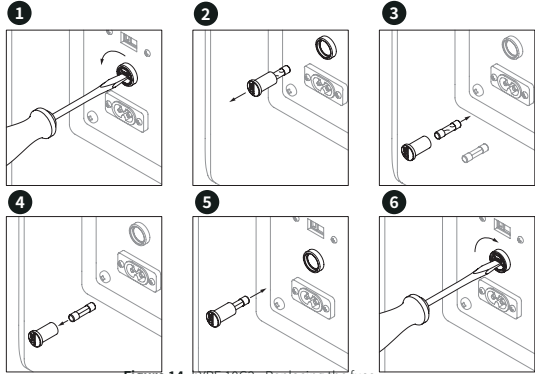


Figure 14. hYPE 10G2 - Replacing the fuse.

## Speaker and audio cable connection.

Depending on the option selected, speaker cables or audio cables (RCA) are used for the signal connection. Below you can see how to connect the cables to your hYPE 10G2.

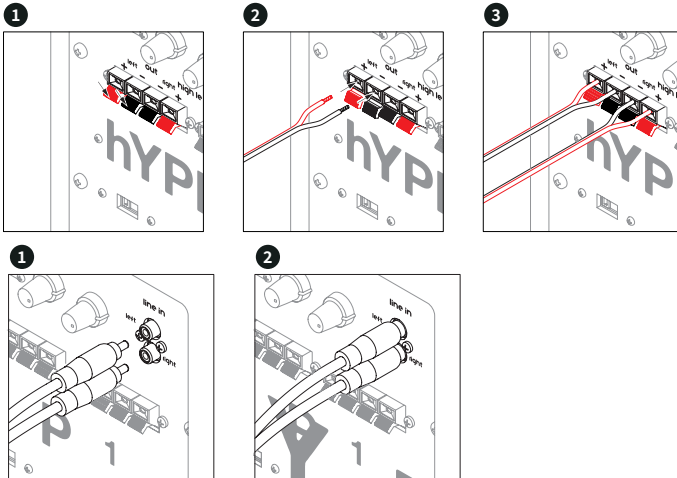


Figure 15. hYPE 10G2 - Connection of loudspeaker and audio cables.

# MIVOC hYPE 10G2 INSTALLATION

In the following section you will find instructions on how to set up your hYPE 10G2 subwoofer for an optimal listening experience.

## DISTANCE TO LISTENING POSITION

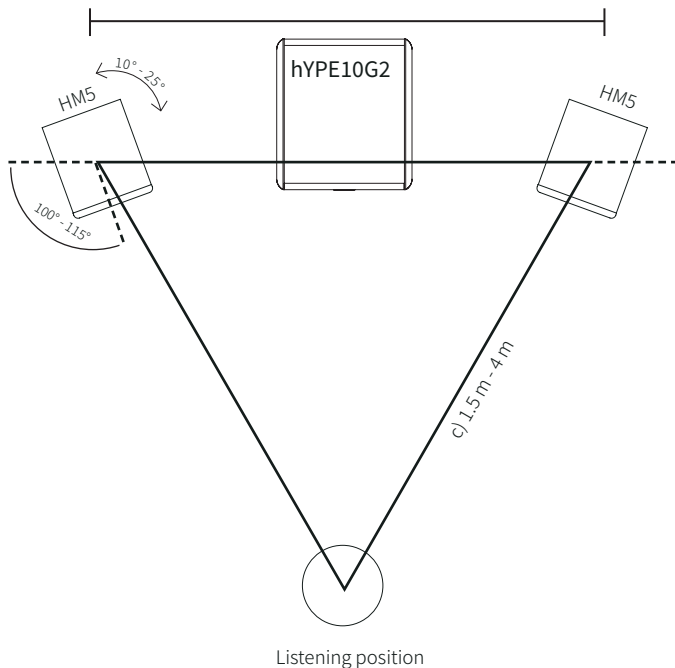


Figure 16. hYPE 10G2 - Installation.

The best position for your subwoofer may vary depending on the room size and installation location. The position and type of your stereo speakers also have an influence on the setup. For best results, place the subwoofer in front of you, along the reference axis. Position your hYPE 10G2 in the centre in front of you, or on the far left or right below or directly next to one of your speakers (satellite/top). If you are positioning the subwoofer sideways, align the subwoofer according to the orientation of the speakers (slightly turned in).

DE

EN

ES

FR

IT

中文

# CONFIGURING THE HYPE 10G2

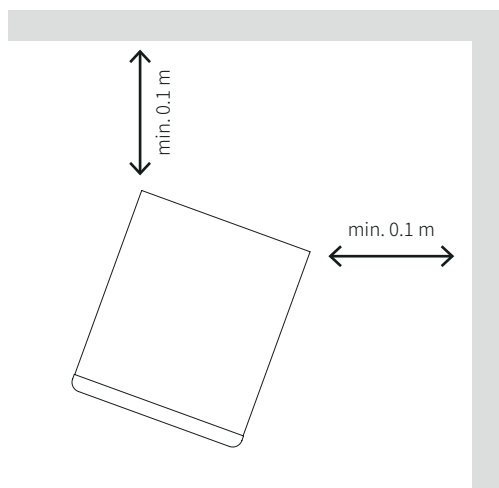
Once you have placed the subwoofer in its intended position, you can configure the system settings. For the initial tuning, you can follow the list below step-by-step. If possible, ask someone for help. This will allow you to evaluate changes in the sound while your assistant applies the settings.

- 1 Connect your subwoofer to your main system (e.g. hi-fi system, soundbar, etc.), according to these instructions.
- 2 Connect the subwoofer to the mains. Observe the safety instructions in the previous chapters.
- 3 Before you switch on the subwoofer at the mains switch, turn the level control to the lowest setting (left stop: Level = min) and set the crossover control to the centre.
- 4 Set the "Power" switch to "on". (After installing and configuring the settings, you can also set the "Power" switch to the "Auto" setting)
- 5 Play a music track that you know very well and set a comfortable listening volume.
- 6 Now slowly turn the level control to the right until the subwoofer's playback is levelled out with the playback from the speakers (satellites/tops) and you fundamentally like the sound.
- 7 Change the crossover setting by slowly turning the control to the left and then slowly to the right. Leave the control set to the position that produces the best sound for you.
- 8 You can now set the "Phase" switch from 0° to 180°. If the audio sounds better at the listening position with this setting, then use this setting. If it doesn't sound any better, set the switch back to 0°.
- 9 If you change the installation location of your hYPE 10G2, readjust the tuning according to this manual.



If possible, do not place your subwoofer directly against a wall or in a corner. These positions can have a noticeable negative effect on the sound. Also ensure that your subwoofer does not touch any other objects. If you have the impression that the floor or neighbouring surfaces are being caused to vibrate excessively, it is helpful to set the subwoofer to "shock absorber/resonance damper" mode. Experiment a little with the location of your subwoofer. Since every room and every listening environment is different, there is no universally correct positioning - correct positioning is room-specific.

## DISTANCE TO INTERFACES



**Figure 17.** hYPE 10G2 - Minimum distance to interfaces.

When positioning your hYPE 10G2, make sure that the distance between the rear of the speaker and neighbouring walls is not less than 10 cm. This will ensure that your subwoofer is working properly.



You will get the best sound if you position the subwoofer so that it is 0.5 metres or more away from adjacent walls or larger objects with a large surface area, such as cabinets. This will improve the sound quality in your room.

DE

EN

ES

FR

IT

中文

# TECHNICAL DATA

## hYPE10G2 SPECIFICATIONS

### ELECTRO-ACOUSTIC DATA

Frequency range <sup>1</sup>	20 Hz - 180 Hz
Adjustable crossover frequency	40 Hz - 180 Hz
Output power <sup>2</sup>	300 W (programme) /120 W (rms)
System type	1-way with integrated amplifier
Transducer	10" (25 cm) subwoofer with polypropylene cone
Enclosure type	Bass reflex
Equipment	Phase (0°, 180°) Automatic on/off switch (on, auto, off) Subsonic filter Low-pass filter with crossover frequency adjustable from 40 Hz - 180 Hz Adjustable volume (level)
Inputs	Stereo HIGH LEVEL (4-16 Ohm) Mono/stereo RCA (cinch)
Outputs	Stereo HIGH LEVEL (4 - 16 Ohm)
Controls	Level controller Crossover controller Phase switch Power switch Mains voltage switch (230 V, 115 V)
Operating voltage,	switchable, 220 - 240 VAC / 50 Hz or 110 - 120 VAC / 60 Hz
Power connection	Euro plug CEE 7/16 (type C), max. 120 VA/AC

### MECHANICAL DATA

Product dimensions (W x H x D)	322 x 472 x 360 mm
Weight	16.2 kg
Weight with packaging:	19 kg

<sup>1</sup> in the room (depending on installation, room characteristics and source)

<sup>2</sup> according to EIA-426B standard



# hYPE 10G2 DIMENSIONS

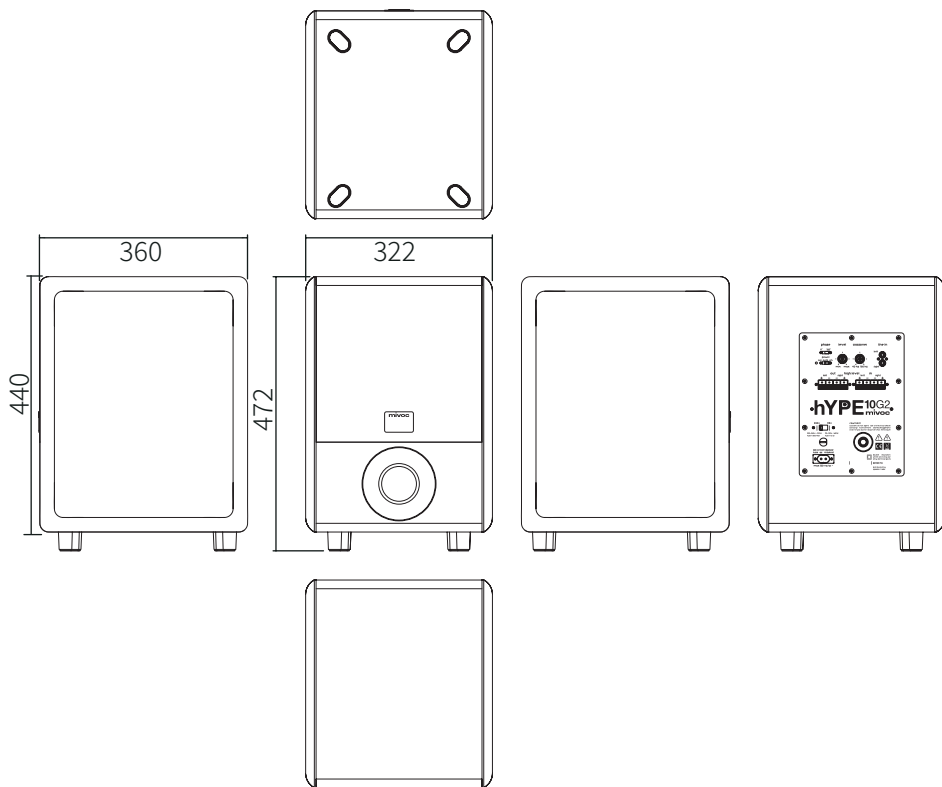


Figure 18. hYPE 10G2 - Dimensions (mm).

- DE
- EN
- ES
- FR
- IT
- 中文

# MANUFACTURER INFORMATION

## WARRANTY

mivoc grants a 2-year guarantee on mivoc products. The warranty period begins on the date of purchase. The warranty applies to material or production defects. During the warranty period, defective components or products will be repaired or replaced free of charge by mivoc at its own discretion.

## TRANSFER OF WARRANTY

The warranty granted is transferable during the warranty period. A copy of the original proof of purchase is required when transferring the warranty.

## NOTE

mivoc does not guarantee the uninterrupted and fault-free operation of its products.

### The warranty does not apply:

- To wear parts or natural wear and tear.
- To damage, defects or malfunctions caused by improper use or use other than the intended purpose.
- For damage, defects or malfunctions caused by the application of force or by environmental conditions.
- In case of unauthorised repair attempts.

## REQUESTING WARRANTY SERVICES

Requests for warranty services can be submitted to mivoc or to the dealer from whom the mivoc products were purchased.

### Contact

Neuenhofer Strasse 42-44

42657 Solingen

Germany

Telephone +49 212 382 26-0

Email [info@mivoc.com](mailto:info@mivoc.com)

Proof of purchase is required when submitting warranty claims. In addition, you must allow mivoc the opportunity to verify the warranty claim (e.g. by sending in the products or by means of an inspection by an authorised partner). Without proof of purchase, provision of a warranty service may be refused. In the case of an extended warranty period, proof of product registration must also be provided.

## IMPORTANT NOTE

Your statutory warranty rights are not affected by this warranty. Furthermore, this warranty has no influence on any agreements made with a dealer.

## LIMITATION OF LIABILITY

mivoc shall not be liable for personal injury or damage to property, or for claims arising from unsuitable, dangerous or improper use of the products.

## EU DECLARATION OF CONFORMITY

Mivoc devices comply with the basic requirements and other relevant specifications of the European Union directives. The detailed declaration and the list of these directives and harmonised standards are available on the website: [www.mivoc.com](http://www.mivoc.com). This applies for all product variants, provided that they correspond to the original technical design and have not been subsequently modified mechanically, electrically or in relation to their original condition.

## CORRECT DISPOSAL OF PRODUCTS (ELECTRONIC WASTE)

(Applicable in the European Union and all countries with separated waste collection systems).



To prevent possible harm to the environment or to human health, mivoc products must not be disposed of with other waste at the end of their service life. Domestic users can either contact the dealer from whom they purchased the products or their local authority to obtain information on environmentally sound disposal. Commercial users can contact their supplier or an official local authority if they have any questions regarding disposal.

## EXPLANATION CONCERNING WEEE

mivoc products are developed and manufactured using high-quality materials and components that are designed to be recyclable and/or reusable.

mivoc, as a trade mark of speaker trade, is registered in accordance with the WEEE Directive.

## LICENCES AND COPYRIGHT

mivoc products may directly or indirectly contain software that is necessary for their use or is provided as an add-on. These software components may be mivoc's own developments, or licensed or open-source products and solutions or a combination of the above. In the case of open-source licences, mivoc will provide a copy of the source code and the full text of the corresponding licence in accordance with the licence conditions on request. Excluded from this and protected by copyright are proprietary and licensed software solutions and software components.

DE

EN

ES

FR

IT

中文



**HEAD OFFICE**

Neuenhofer Strasse 42-44  
42657 Solingen, Germany

+49 212 382 26-0  
info@mivoc.com

**www.mivoc.com**



Designed in Germany  
Version 2024/01

**mivoc**, All rights reserved. The technical data and functional product features are subject to change.

Photocopying, translating or any other form of reproduction of sections or of the entirety of the user manual is prohibited.

© 2024 **mivoc** is a registered trademark of speaker trade e.K., Neuenhofer Straße 42-44, 42657 Solingen, Germany